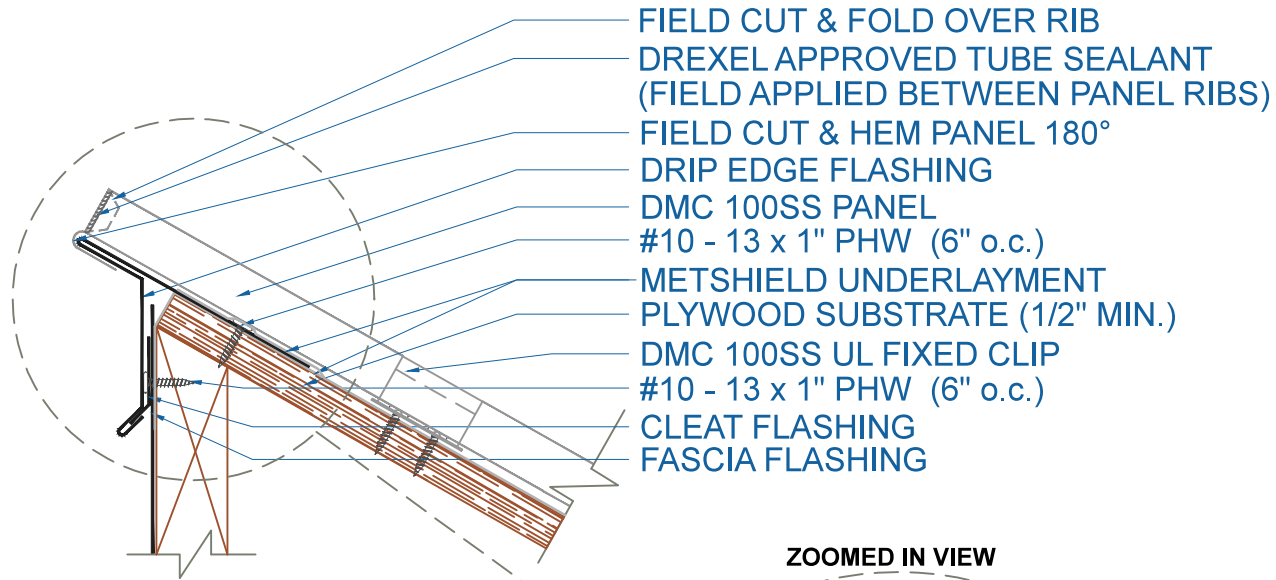
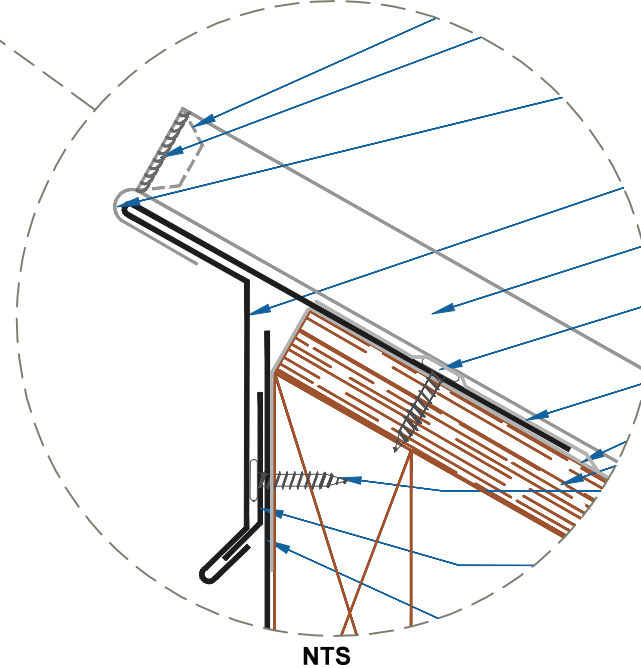


DMC 100SS - PLYWOOD



- FIELD CUT & FOLD OVER RIB
- DREXEL APPROVED TUBE SEALANT (FIELD APPLIED BETWEEN PANEL RIBS)
- FIELD CUT & HEM PANEL 180°
- DRIP EDGE FLASHING
- DMC 100SS PANEL
- #10 - 13 x 1" PHW (6" o.c.)
- METSHIELD UNDERLAYMENT
- PLYWOOD SUBSTRATE (1/2" MIN.)
- DMC 100SS UL FIXED CLIP
- #10 - 13 x 1" PHW (6" o.c.)
- CLEAT FLASHING
- FASCIA FLASHING

ZOOMED IN VIEW



NTS

DRIP EDGE PEAK

SCALE: 3" = 1'-0"

EFFECTIVE DATE: 01-25-13
SUBJECT TO CHANGE WITHOUT NOTICE

