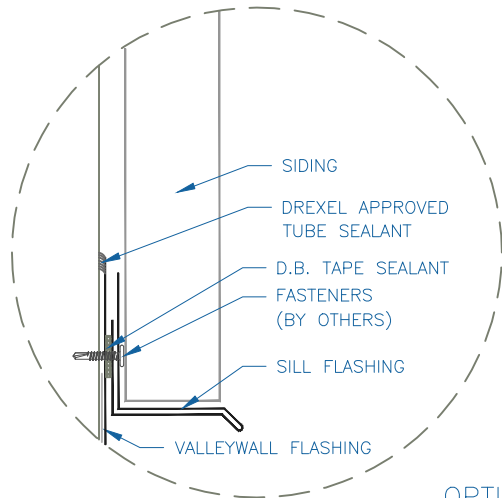
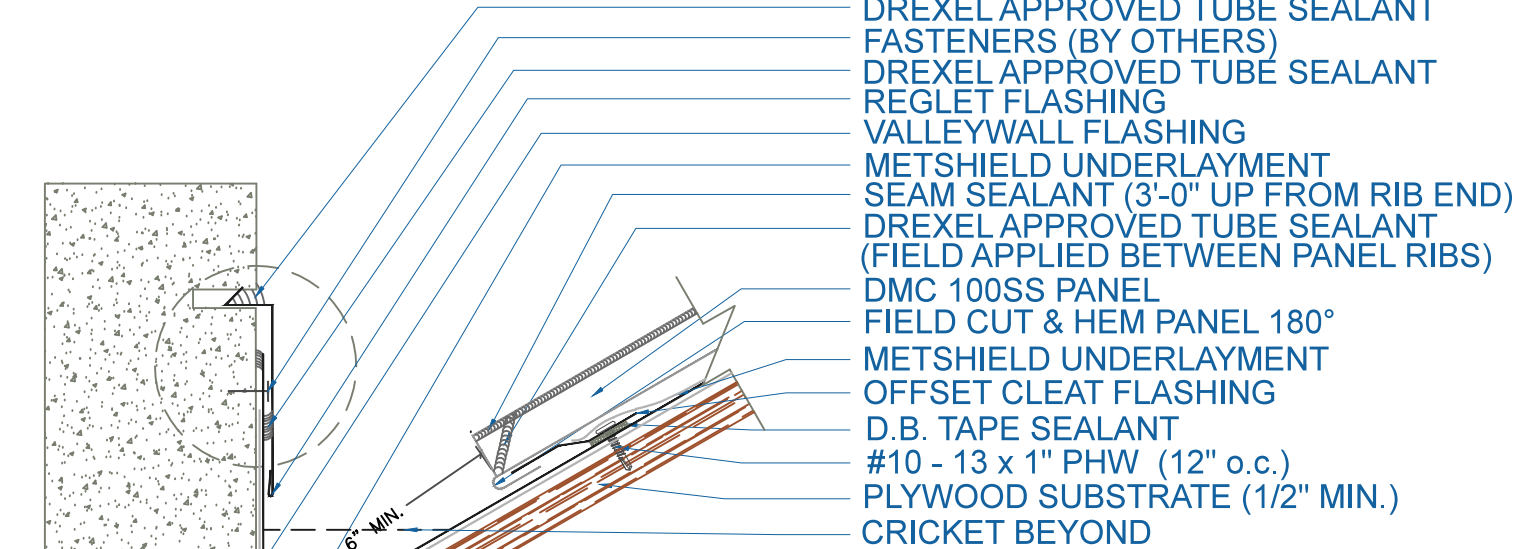


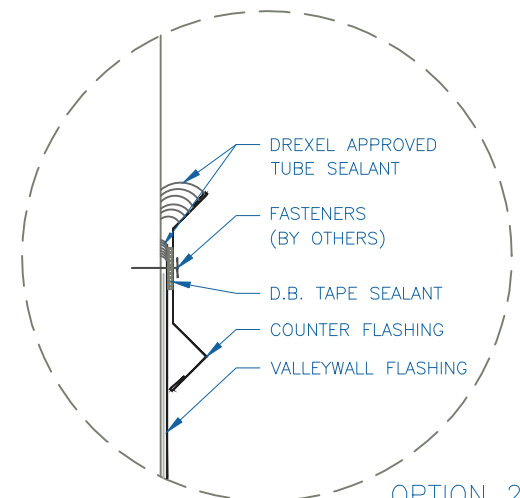
DMC 100SS - PLYWOOD

NOTE:

- 1.) LAPS IN VALLEYWALL ARE 12" MIN. DREXEL METALS APPROVED SEALANT IN ALL LAPS IN VALLEY. TWO ROWS OF SEALANT BETWEEN VALLEYWALL LAPS, 4" UP FROM LAP.
- 2.) LARGE ROOF AREAS MAY REQUIRE A LARGER GAP BETWEEN PANEL AND WALL TO ALLOW FOR STORM WATER RUN OFF.



OPTION 1



OPTION 2

EFFECTIVE DATE: 01-25-13
SUBJECT TO CHANGE WITHOUT NOTICE

VALLEYWALL

SCALE: 3" = 1'-0"

Drexel Metals
Roofing Systems + Custom Fabrication

