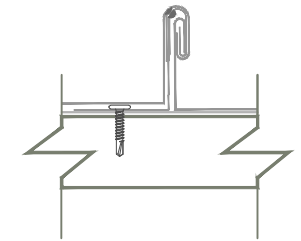
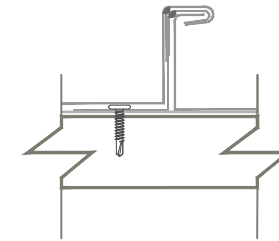
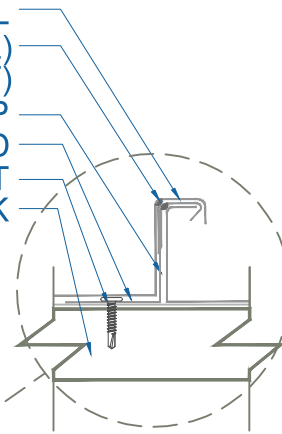


# DMC 200S - METAL DECK

DMC 200S PANEL  
DREXEL APPROVED SEALANT (OPTIONAL)  
(FIELD OR MACHINE APPLIED SEALANT)  
DMC 200S BUTTERFLY CLIP  
#10 - 16 x 1" DP3 PHD  
METSHIELD UNDERLAYMENT  
METAL DECK

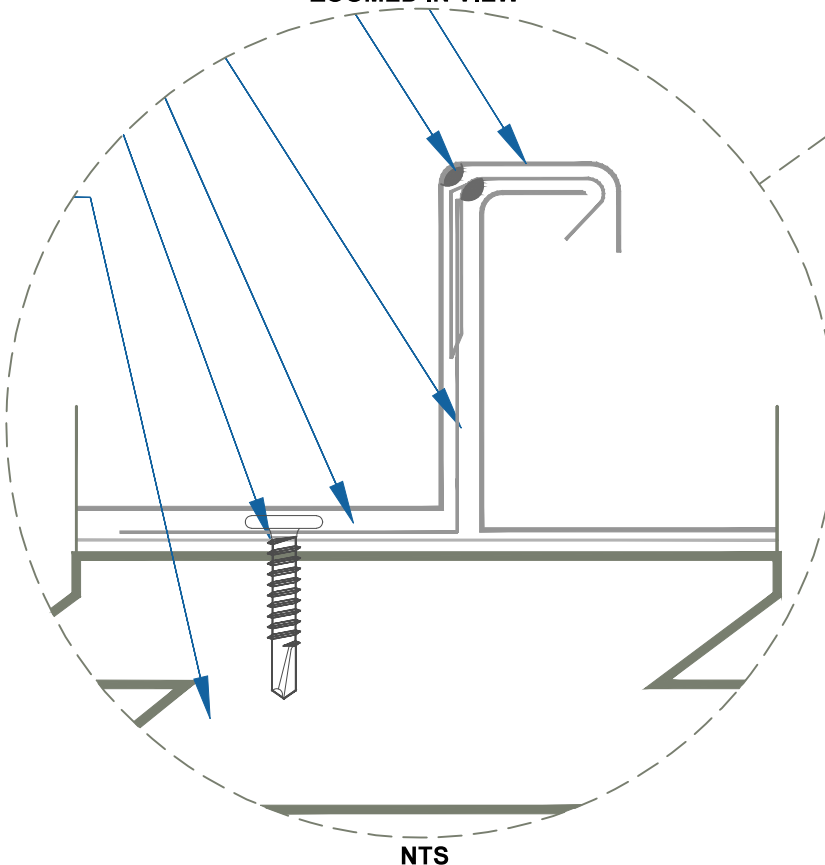
ZOOMED IN VIEW



CROSS SECTION  
BEFORE SEAMING

CROSS SECTION  
90° SEAMING

CROSS SECTION  
180° SEAMING



NTS

SEAMER TOOL RENTAL  
SEAMER TOOLS, INC.  
8265 HIGHWAY 178  
OLIVE BRANCH, MS 38654  
PH:(662)895-1222  
FAX:(662)890-4775  
RENT@SEAMERTOOLS.COM

EFFECTIVE DATE: 07-15-2013  
SUBJECT TO CHANGE WITHOUT NOTICE

## INSTALLATION DETAIL

SCALE: 3" = 1'-0"

**DrexelMetals**  
Roofing Systems + Custom Fabrication

