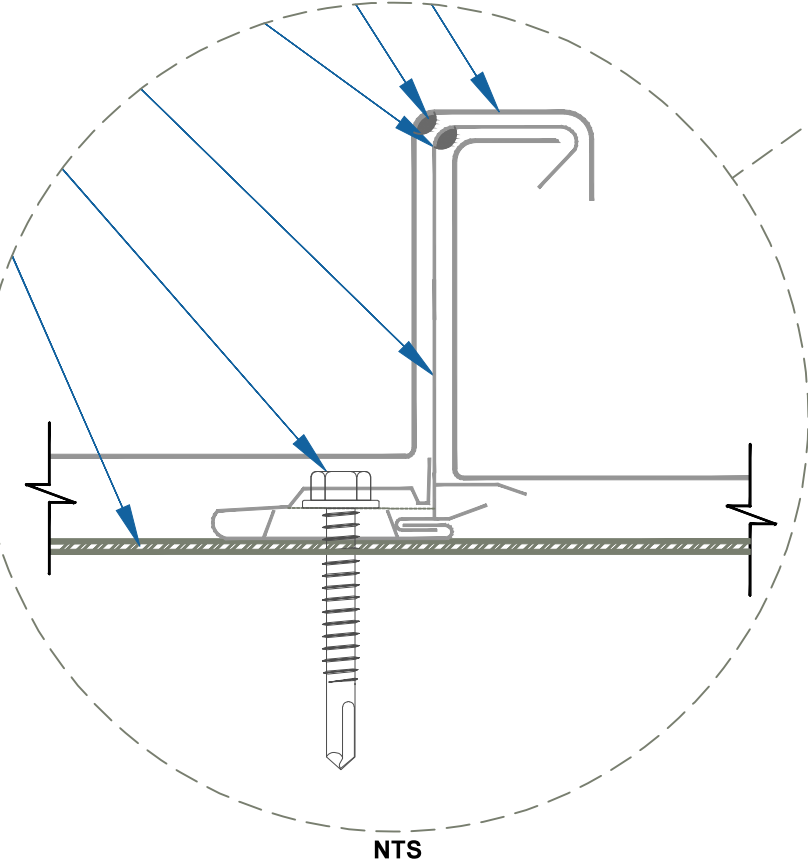


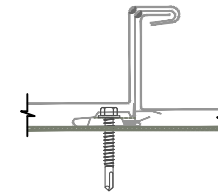
DMC 200S - OPEN FRAMING

DMC 200S PANEL
DREXEL APPROVED SEALANT
(FIELD OR MACHINE APPLIED SEALANT)
CLIP SEALANT
CLIP
(2) 1/4 - 14 x 1 1/2" DP3 SD/NW
FRAMING MEMBER

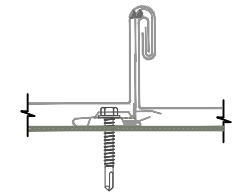
ZOOMED IN VIEW



CROSS SECTION
BEFORE SEAMING



CROSS SECTION
90° SEAMING



CROSS SECTION
180° SEAMING

SEAMER TOOL RENTAL
SEAMER TOOLS, INC.
8265 HIGHWAY 178
OLIVE BRANCH, MS 38654
PH:(662)895-1222
FAX:(662)890-4775
RENT@SEAMERTOOLS.COM

EFFECTIVE DATE: 12-12-12
SUBJECT TO CHANGE WITHOUT NOTICE

INSTALLATION DETAIL

SCALE: 3" = 1'-0"

DrexelMetals
Roofing Systems + Custom Fabrication

