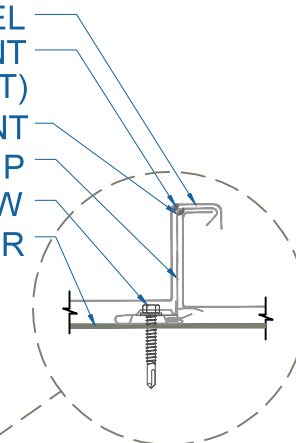


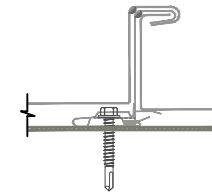
# DMC 200S - OPEN FRAMING

DMC 200S PANEL  
DREXEL APPROVED SEALANT  
(FIELD OR MACHINE APPLIED SEALANT)  
CLIP SEALANT  
CLIP  
(2) 1/4 - 14 x 1 1/2" DP3 SD/NW  
FRAMING MEMBER

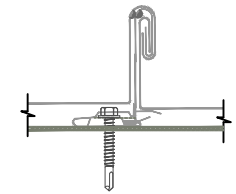
ZOOMED IN VIEW



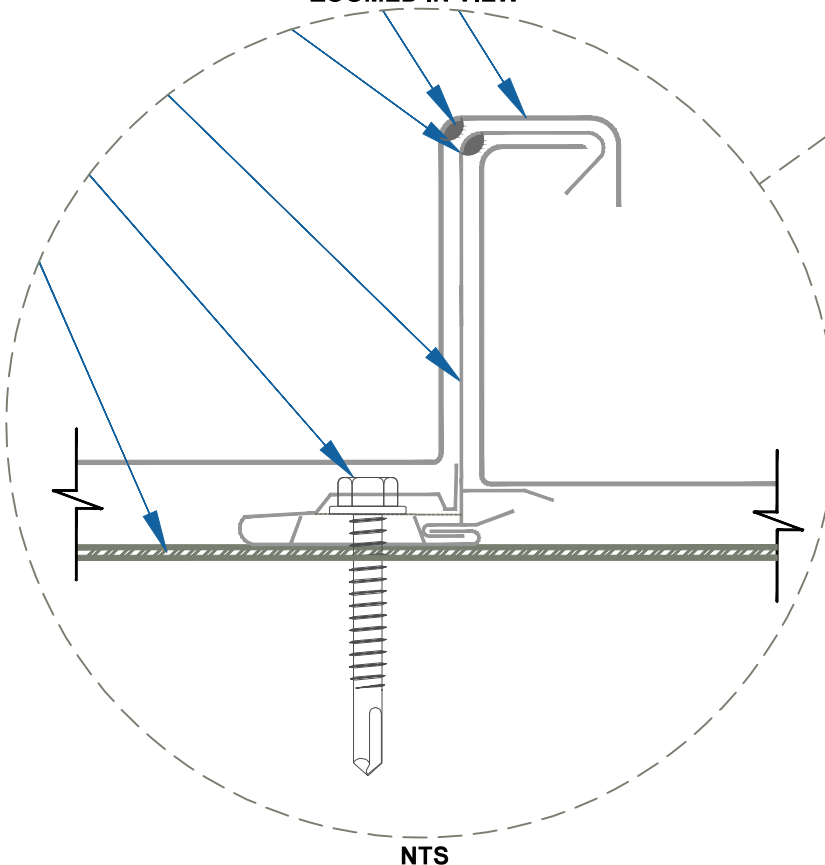
CROSS SECTION  
BEFORE SEAMING



CROSS SECTION  
90° SEAMING



CROSS SECTION  
180° SEAMING



NTS

SEAMER TOOL RENTAL  
SEAMER TOOLS, INC.  
8265 HIGHWAY 178  
OLIVE BRANCH, MS 38654  
PH:(662)895-1222  
FAX:(662)890-4775  
RENT@SEAMERTOOLS.COM

EFFECTIVE DATE: 01-18-13  
SUBJECT TO CHANGE WITHOUT NOTICE

## INSTALLATION DETAIL

SCALE: 3" = 1'-0"

**DrexelMetals**  
Roofing Systems + Custom Fabrication

