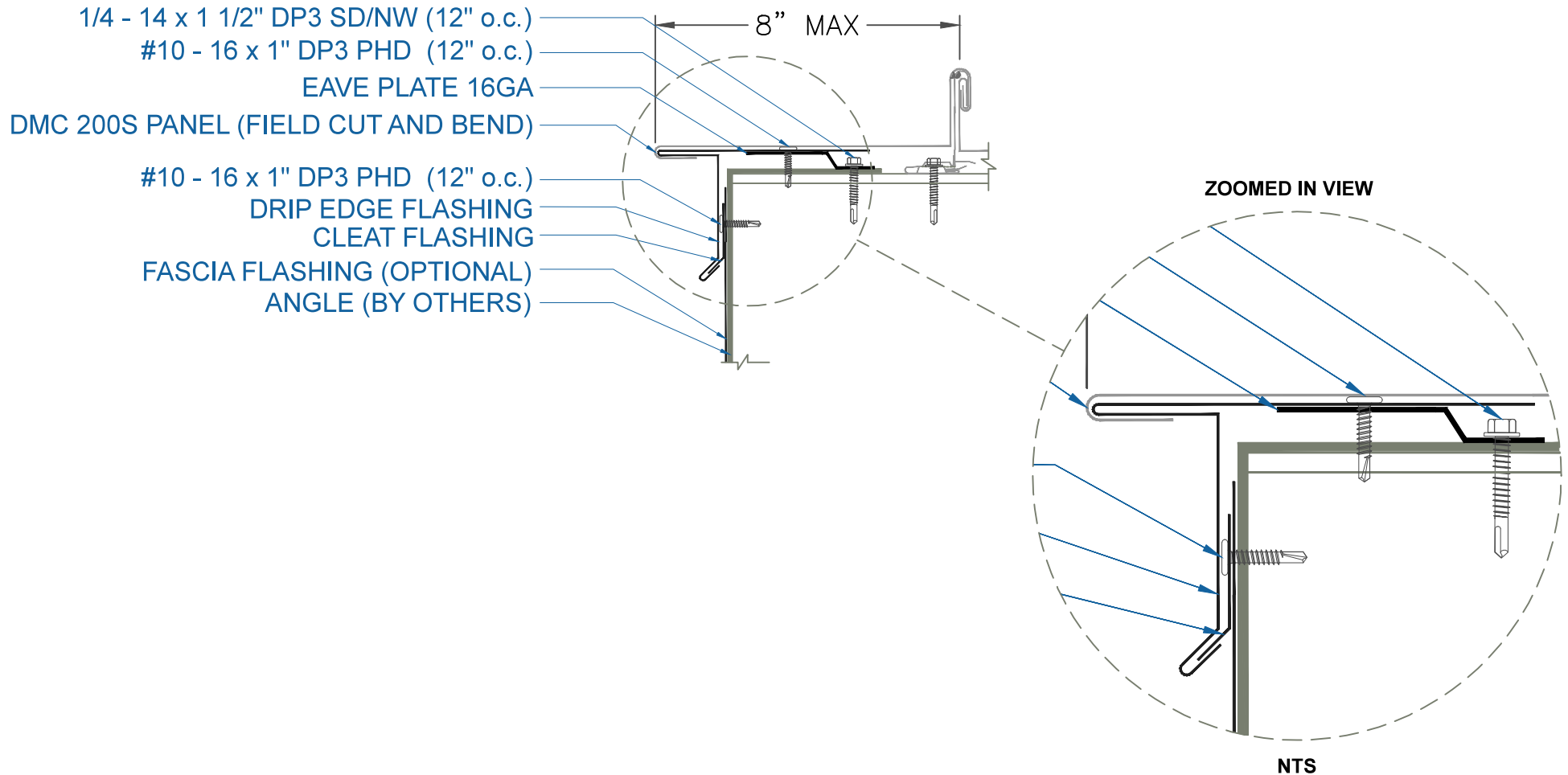


DMC 200S - OPEN FRAMING



GABLE ALTERNATE / CURVED

EFFECTIVE DATE: 12-12-12
SUBJECT TO CHANGE WITHOUT NOTICE

SCALE: 3" = 1'-0"