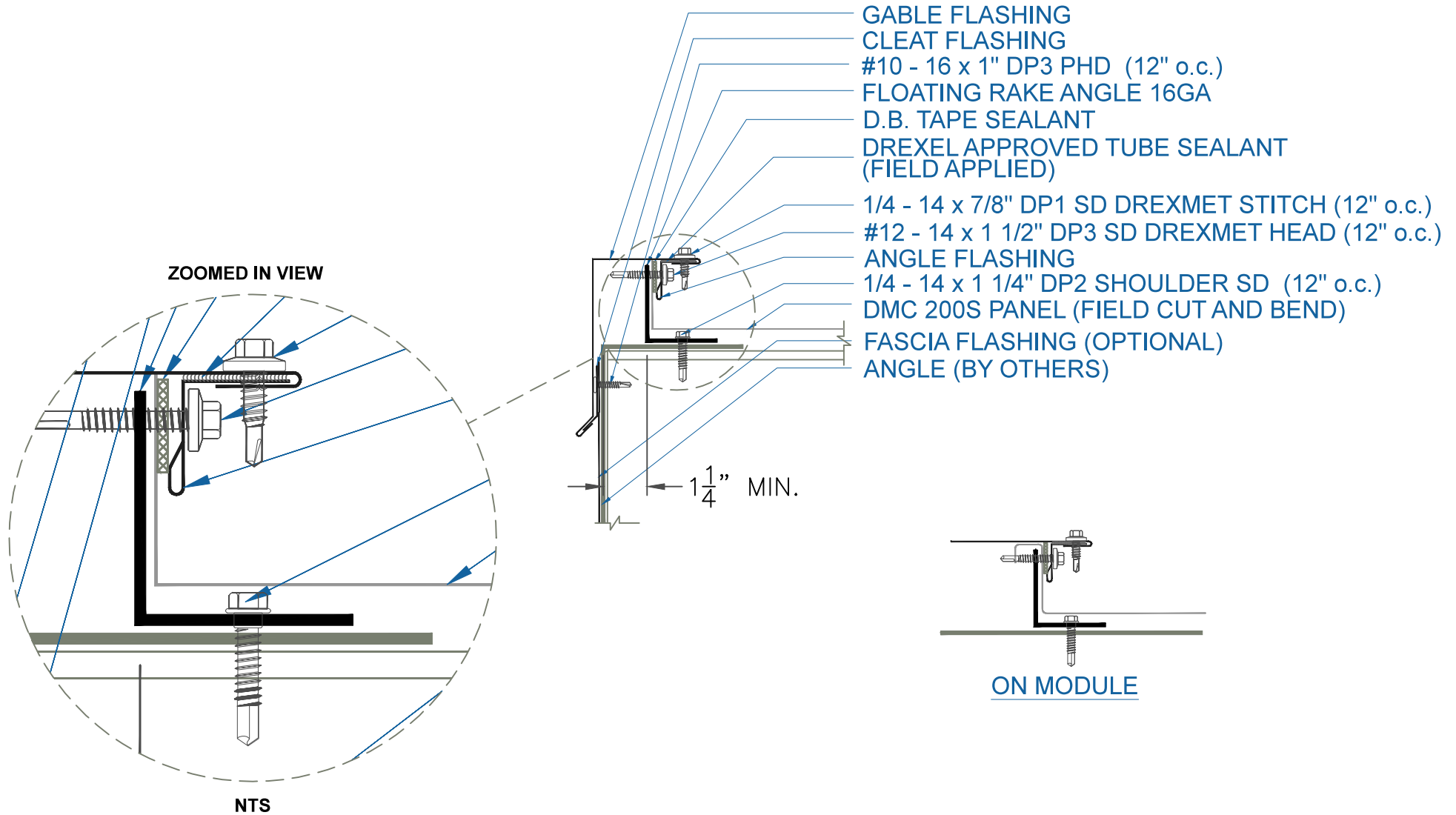


# DMC 200S - OPEN FRAMING



EFFECTIVE DATE: 01-18-13  
 SUBJECT TO CHANGE WITHOUT NOTICE

**GABLE**  
 SCALE: 3" = 1'-0"

**DrexelMetals**  
 Roofing Systems + Custom Fabrication

