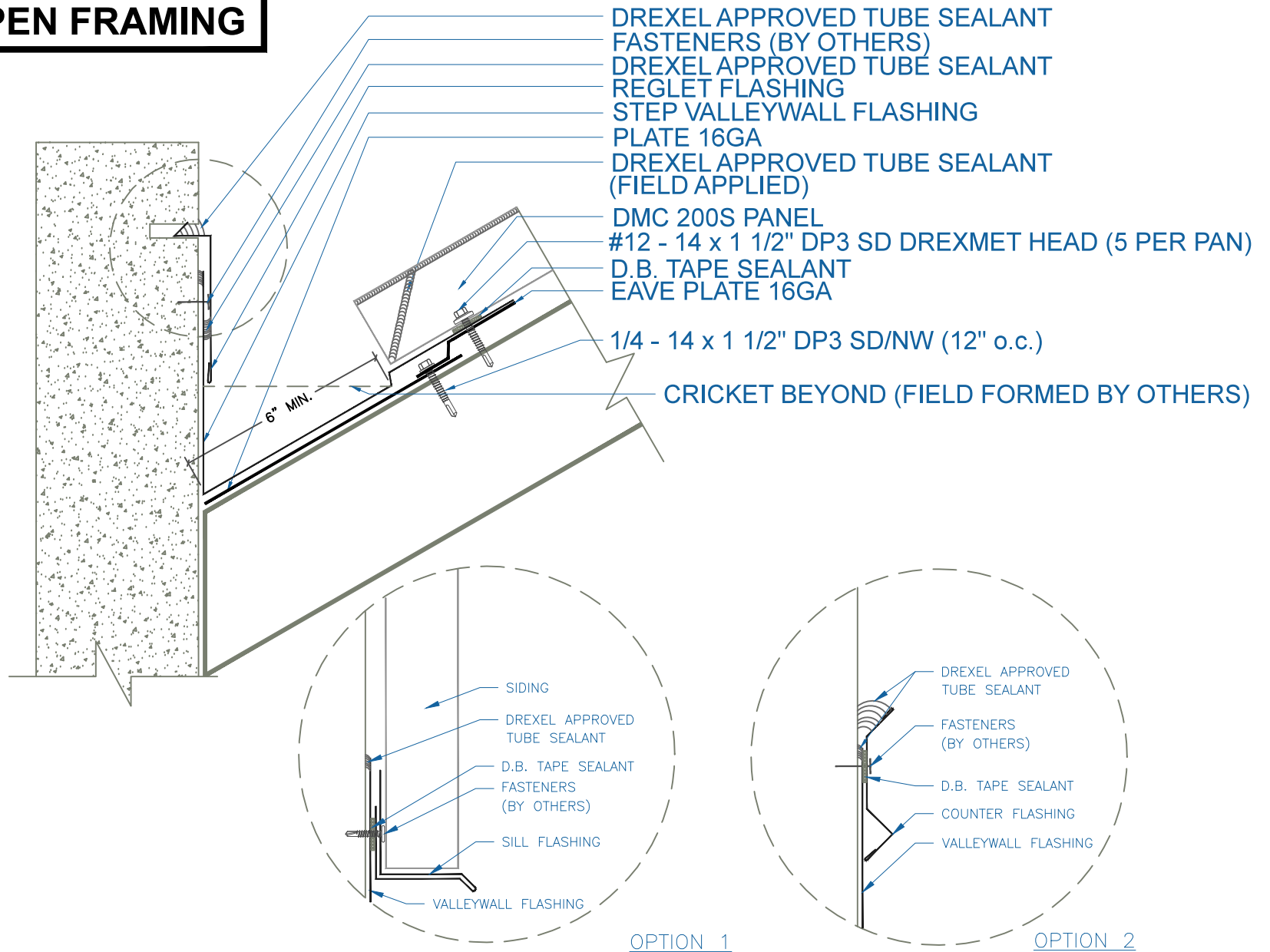


DMC 200S - OPEN FRAMING

NOTE:
LARGE ROOF AREAS MAY
REQUIRE A LARGER GAP
BETWEEN PANEL AND
BEND TO ALLOW FOR
STORM WATER RUN OFF.



STEP VALLEYWALL

SCALE: 3" = 1'-0"