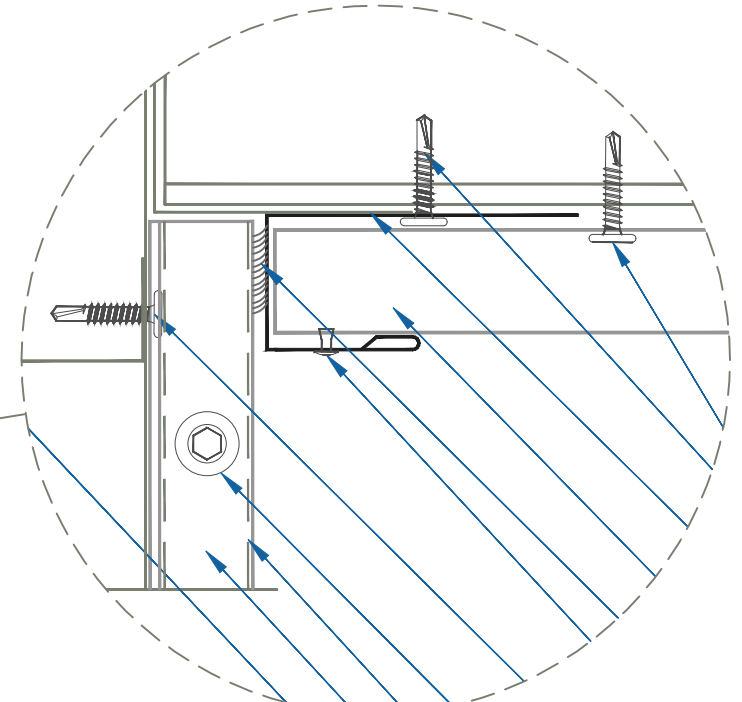
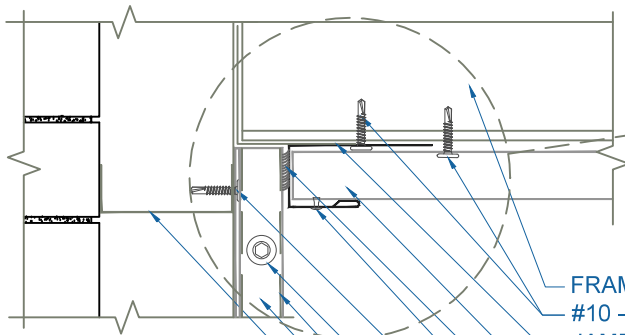


DMC FW1 - OPEN FRAMING

ZOOMED IN VIEW



NTS

- FRAMING MEMBER (BY OTHERS)
- #10 - 16 x 1" DP3 PHD (12" o.c.)
- JAMB FLASHING
- DMC-FW1 PANEL
- DREXEL APPROVED TUBE SEALANT
- 1/8" x 3/16" POP RIVET (12" o.c.)
- #10 - 16 x 1" DP3 PHD
(AT EACH FURRING)
- 1/4" - 14 x 7/8" DP1 SD DREXMET STITCH (24" o.c.)
- S.B. TAPE SEALANT
- DMC-FW1 PANEL
- FRAMING MEMBER (BY OTHERS)

SOFFIT TO WALL PANEL

SCALE: 3" = 1'-0"

EFFECTIVE DATE: 05-21-13
SUBJECT TO CHANGE WITHOUT NOTICE