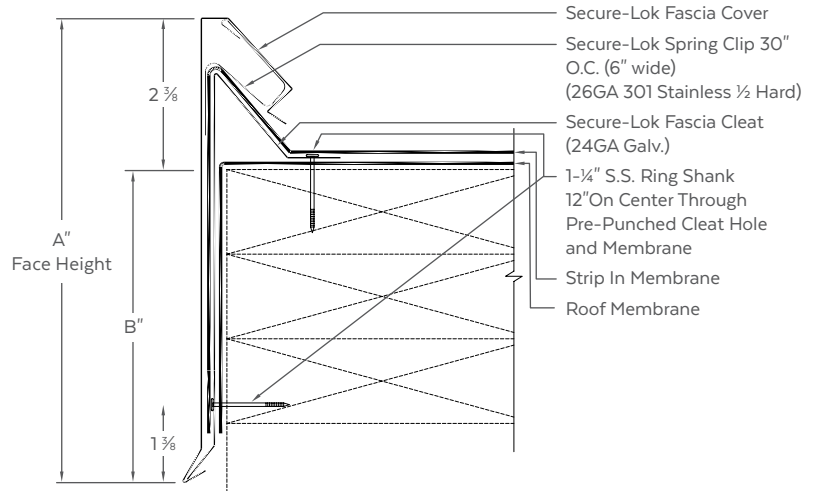


# SECURE-LOK FASCIA PRINT APPROVAL

ANSI/SPRI ES-1 CERTIFIED -  
8.25": .040" Aluminum = 210 psf, 24GA Steel = 200 psf  
ANSI/SPRI ES-1 CERTIFIED -  
12.75": .050" Aluminum = 150 psf, 22GA Steel = 150 psf

## MATERIAL CODE: 800992

"A"	"B"	Nailers Covered
5¼"	2⅞"	1
6¾"	4⅜"	2
8¼"	5⅞"	3
9¾"	7⅞"	4
10¼"	7⅞"	5
12¾"	10⅜"	6



## MATERIAL

24GA .040" AL  
22GA .050" AL  
Other: .063" AL

Finish: \_\_\_\_\_  
Color: \_\_\_\_\_

## QUANTITIES

Lineal Feet (10'-0" Lengths): \_\_\_\_\_

Outside Miters\*: \_\_\_\_\_ Optional Welded (Surcharge Applies)  
Inside Miters\*: \_\_\_\_\_ Optional Welded (Surcharge Applies)  
Right End Caps\*: \_\_\_\_\_ Optional Welded (Surcharge Applies)  
Left End Caps\*: \_\_\_\_\_ Optional Welded (Surcharge Applies)

\* Standard riveted

## PROJECT DETAILS

Project: \_\_\_\_\_  
Architect: \_\_\_\_\_  
Roofing Contractor: \_\_\_\_\_  
Representative: \_\_\_\_\_

## PRINT APPROVAL

Architect and/or Contractor shall verify all dimensions, sizes, and quantities, All products to be installed in strict accordance with Drexel's printed instructions.

Effective Date: \_\_\_\_\_  
Drawn By: \_\_\_\_\_  
Approved By: \_\_\_\_\_