

# GUTTER LT PRINT APPROVAL

ANSI/SPRI GD-1 CERTIFIED -

.040" Aluminum

24GA Steel

G-1 Horizontal = 310 psf

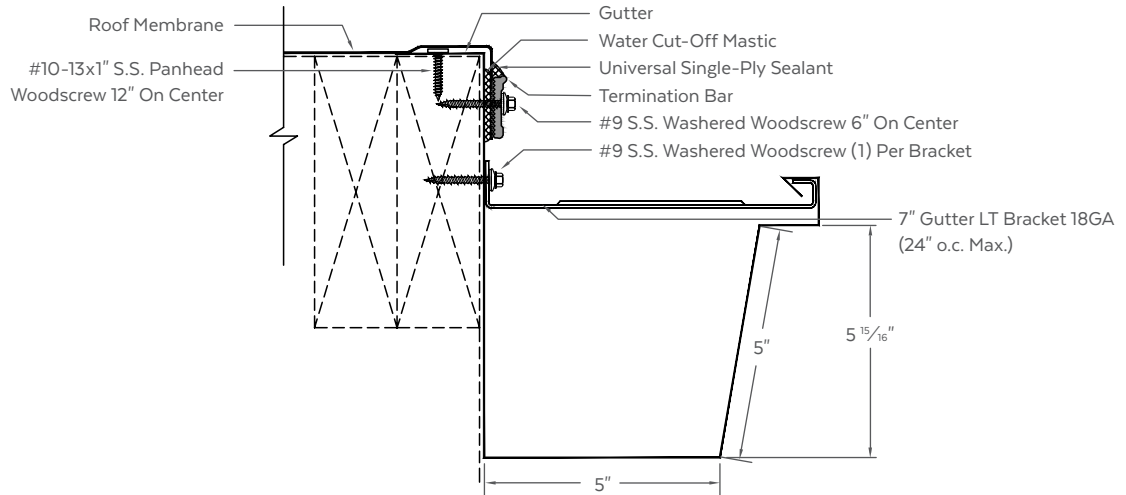
G-1 Horizontal = 290 psf

G-2 Vertical = 40 psf

G-2 Vertical = 20 psf

G-3 Static = 430 psf

G-3 Static = 430 psf



## MATERIAL

24GA .040" AL

22GA .050" AL

Other: .063" AL

Finish: \_\_\_\_\_

Color: \_\_\_\_\_

## QUANTITIES

Lineal Feet (10'-0" Lengths): \_\_\_\_\_

Outside Miters\*: \_\_\_\_\_ Optional Welded (Surcharge Applies)

Inside Miters\*: \_\_\_\_\_ Optional Welded (Surcharge Applies)

Right End Caps\*: \_\_\_\_\_ Optional Welded (Surcharge Applies)

Left End Caps\*: \_\_\_\_\_ Optional Welded (Surcharge Applies)

\* Standard riveted

## PROJECT DETAILS

Project: \_\_\_\_\_

Architect: \_\_\_\_\_

Roofing Contractor: \_\_\_\_\_

Representative: \_\_\_\_\_

## PRINT APPROVAL

Architect and/or Contractor shall verify all dimensions, sizes, and quantities, All products to be installed in strict accordance with Drexel's printed instructions.

Effective Date: \_\_\_\_\_

Drawn By: \_\_\_\_\_

Approved By: \_\_\_\_\_