

GUTTER HD PRINT APPROVAL

ANSI/SPRI GD-1 CERTIFIED -

.040" Aluminum

24GA Steel

G-1 Horizontal = 210 psf

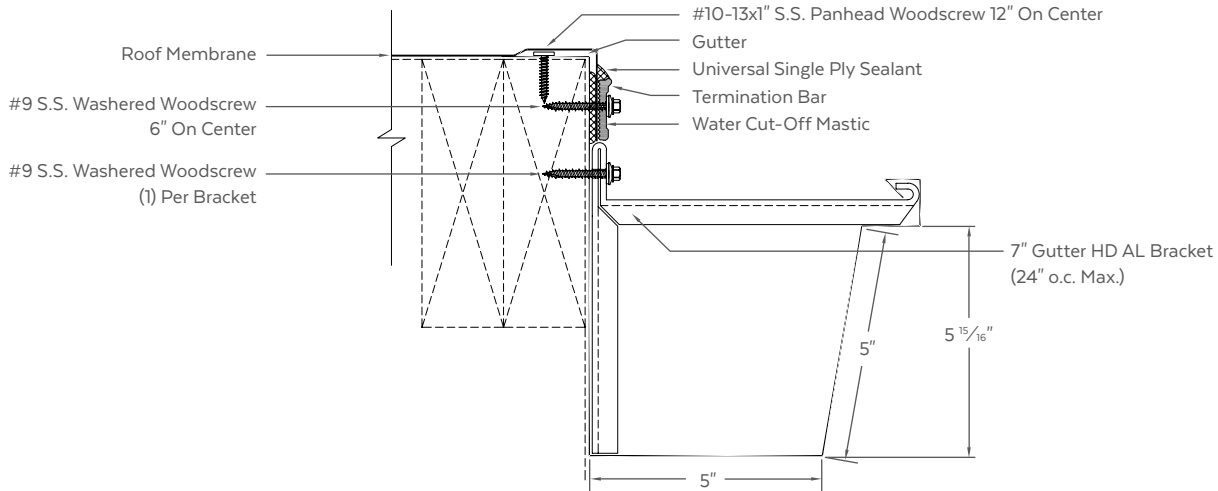
G-1 Horizontal = 200 psf

G-2 Vertical = 90 psf

G-2 Vertical = 90 psf

G-3 Static = 290 psf

G-3 Static = 280 psf



MATERIAL

24GA .040" AL
22GA .050" AL
Other: .063" AL

Finish: _____

Color: _____

QUANTITIES

Lineal Feet (10'-0" Lengths): _____

Outside Miters*: _____ Optional Welded (Surcharge Applies)

Inside Miters*: _____ Optional Welded (Surcharge Applies)

Right End Caps*: _____ Optional Welded (Surcharge Applies)

Left End Caps*: _____ Optional Welded (Surcharge Applies)

* Standard riveted

PROJECT DETAILS

Project: _____

Architect: _____

Roofing Contractor: _____

Representative: _____

PRINT APPROVAL

Architect and/or Contractor shall verify all dimensions, sizes, and quantities. All products to be installed in strict accordance with Drexel's printed instructions.

Effective Date: _____

Drawn By: _____

Approved By: _____