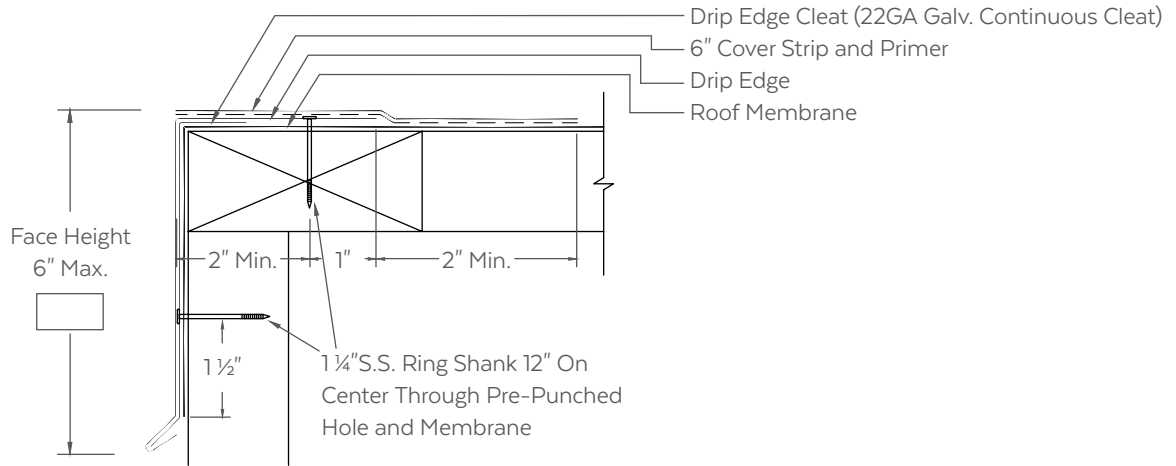


# DRIP EDGE PRINT APPROVAL

ANSI/SPRI ES-1 CERTIFIED -  
.040" Aluminum = 410 psf, 24GA Steel = 390 psf



## MATERIAL

24GA .040" AL  
22GA .050" AL  
Other: .063" AL

Finish: \_\_\_\_\_

Color: \_\_\_\_\_

## QUANTITIES

Lineal Feet (10'-0" Lengths): \_\_\_\_\_

Outside Miters\*: \_\_\_\_\_ Optional Welded (Surcharge Applies)

Inside Miters\*: \_\_\_\_\_ Optional Welded (Surcharge Applies)

Right End Caps\*: \_\_\_\_\_ Optional Welded (Surcharge Applies)

Left End Caps\*: \_\_\_\_\_ Optional Welded (Surcharge Applies)

Splice Plate Tape Sealant: \_\_\_\_\_ Optional Sealant (Surcharge Applies)

\*Standard riveted

## PROJECT DETAILS

Project: \_\_\_\_\_

Architect: \_\_\_\_\_

Roofing Contractor: \_\_\_\_\_

Representative: \_\_\_\_\_

## PRINT APPROVAL

Architect and/or Contractor shall verify all dimensions, sizes, and quantities, All products to be installed in strict accordance with Drexel's printed instructions.

Effective Date: \_\_\_\_\_

Drawn By: \_\_\_\_\_

Approved By: \_\_\_\_\_