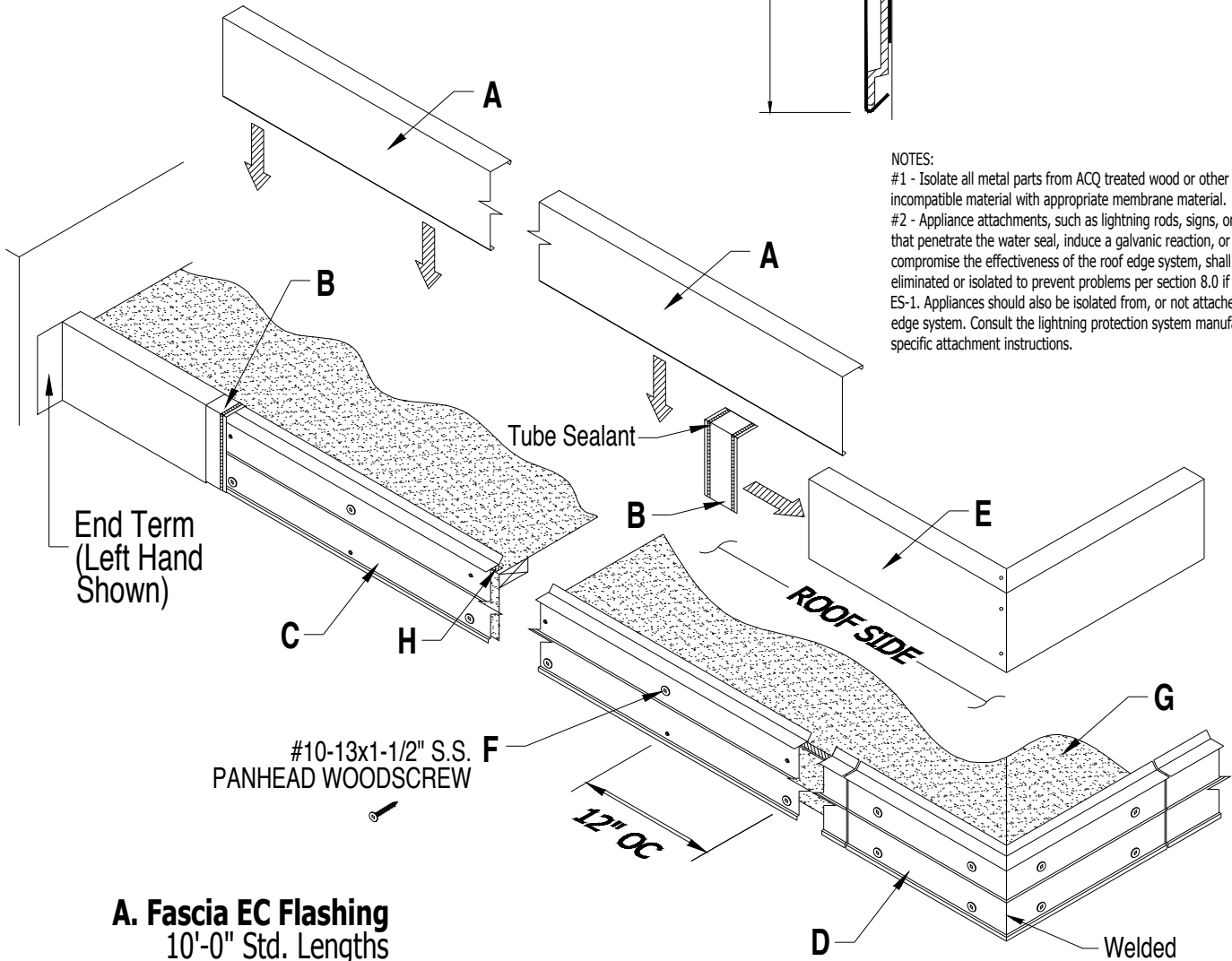
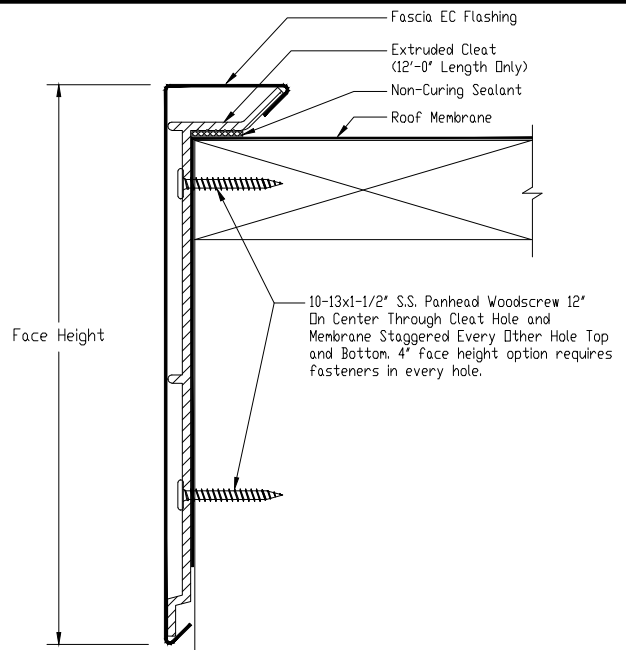


Installation Guide for Fascia EC

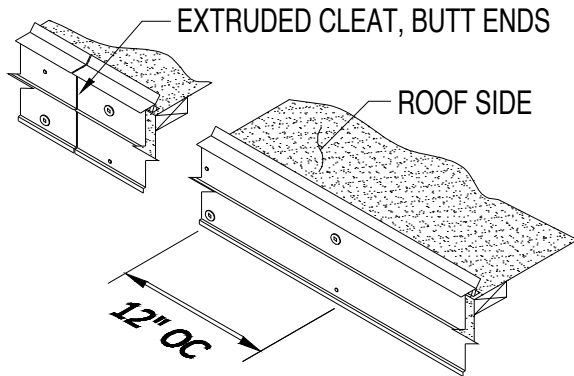


NOTES:

- #1 - Isolate all metal parts from ACQ treated wood or other galvanically incompatible material with appropriate membrane material.
- #2 - Appliance attachments, such as lightning rods, signs, or antennae that penetrate the water seal, induce a galvanic reaction, or otherwise compromise the effectiveness of the roof edge system, shall be eliminated or isolated to prevent problems per section 8.0 if ANSI/SPRI ES-1. Appliances should also be isolated from, or not attached to, the roof edge system. Consult the lightning protection system manufacturer for specific attachment instructions.

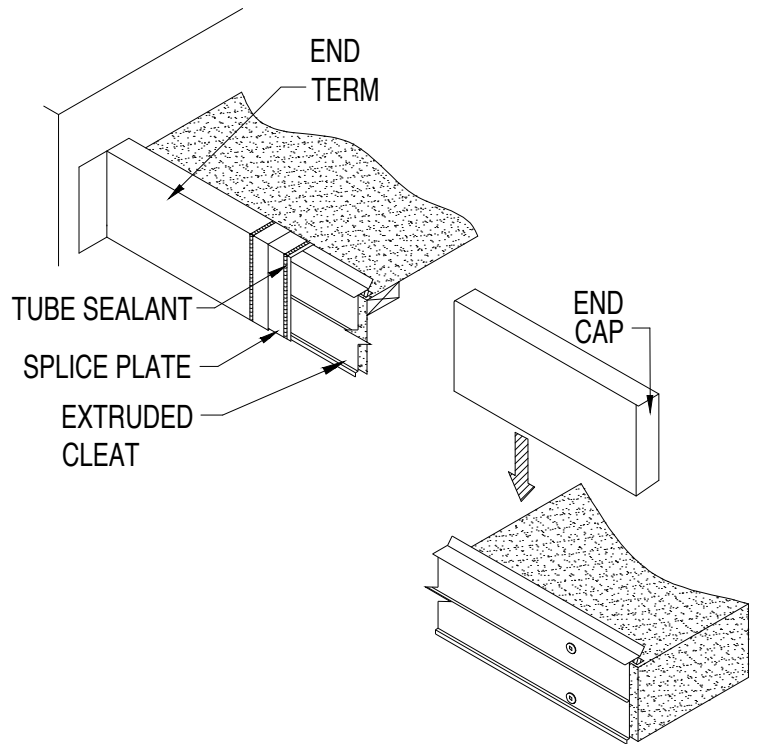
- A. Fascia EC Flashing**
10'-0" Std. Lengths
- B. Fascia EC Splice Plate**
6" Lengths
- C. Fascia EC Extruded Cleat**
12'-0" Lengths
- D. Fascia EC Welded Miter Cleat**
12" Each Direction
- E. Fascia EC Flashing**
(Modify for Outside or Inside Corner)

- F. #10-13x1-1/2" S.S. Panhead Woodscrew**
(Staggered Every Other Hole, Top & Bottom)
(Included & Required)
- G. Approved Roofing Membrane**
(By Installer)
- H. Non-Curing Sealant**
(By Installer)



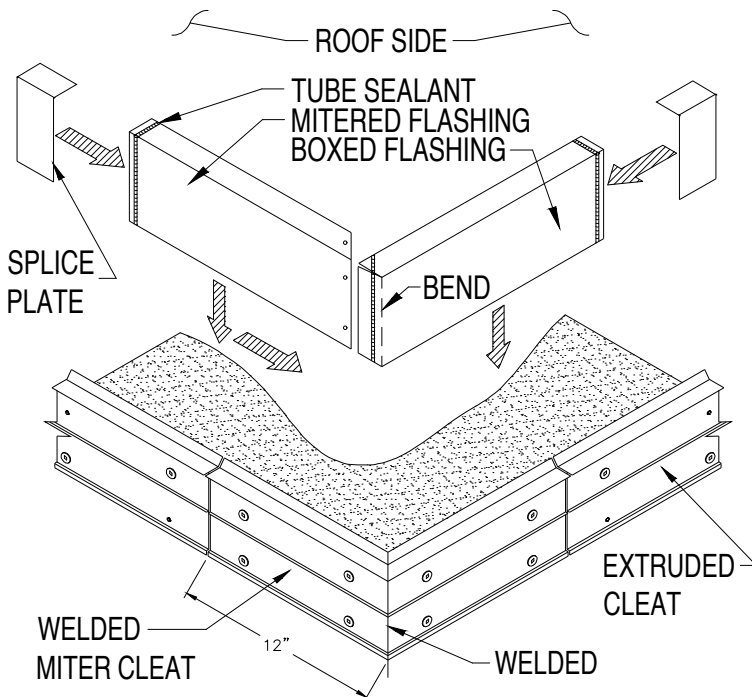
STEP 1 : Installing Extruded Cleat

Install Non-Curing sealant and place the face of the Cleat squarely on the edge of the roof membrane over the wood nailing plate. Press securely in position and screw through the pre-punched face holes. Attach with #10-13x1-1/2" S.S. Panhead Woodscrews provided, staggered every other hole, top and bottom. For Miter applications, install Welded Miter Cleat into corner as required to maintain a continuous Cleat line. Then fasten at every hole in each direction from the corner. Butt Cleat ends and apply Tube Sealant over butted Cleat ends.



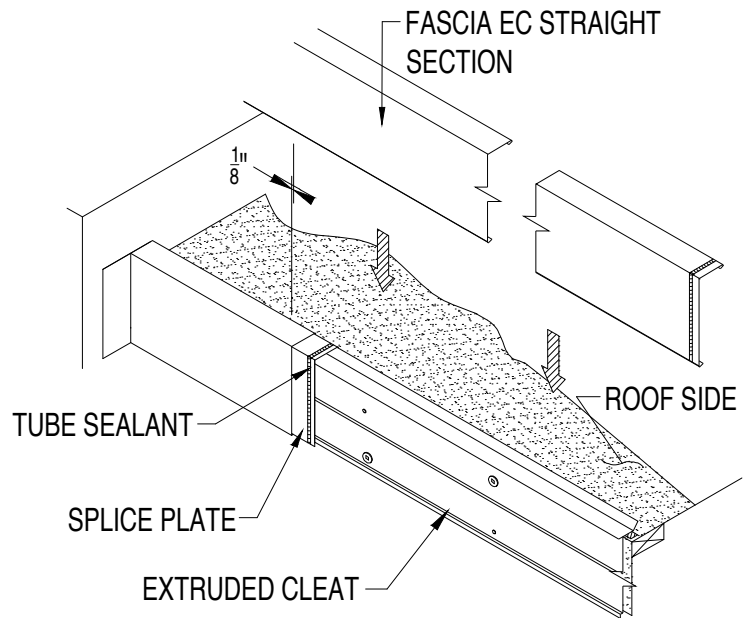
STEP 3 : Installing Fascia EC End Caps and End Terms

Apply a bead of Tube Sealant inside End Cap or End Term and place a Splice Plate under each end of the End Cap or End Term. Install the Fascia EC End Caps and End Terms by hooking the drip of the Fascia EC End Cap or Term onto the roof side kick up of the Cleat and push down onto the lower kick out of the Cleat.



STEP 2 : Installing Fascia EC Corner Flashings

Cut and box off one flashing end, and miter the other flashing. Apply a bead of Tube Sealant on the Boxed Flashing. Install the Boxed Flashing first by hooking the modified flashing onto the roof side kick up of the Welded Miter Cleat, and push down onto the lower kick out of the Welded Miter Cleat. Install the Mitered Flashing second and slide into place over the Boxed Flashing. Mirror the box and miter for inside corner, as outside corner is shown.



STEP 4: Installing Fascia EC Straight Lengths

Apply a bead of Tube Sealant onto the Splice Plate of the Miter, End Term, or End Cap. Install the Fascia EC Flashing by hooking the flashing onto the roof side kick up of the Cleat and push down onto the lower kick out of the Cleat. **Allow 1/8" Gap between Fascia EC lengths for thermal expansion.** Consider lengths of all straight pieces prior to cutting to avoid creating relatively short sections adjacent to one another. Note: There should be a Splice Plate at every joint.