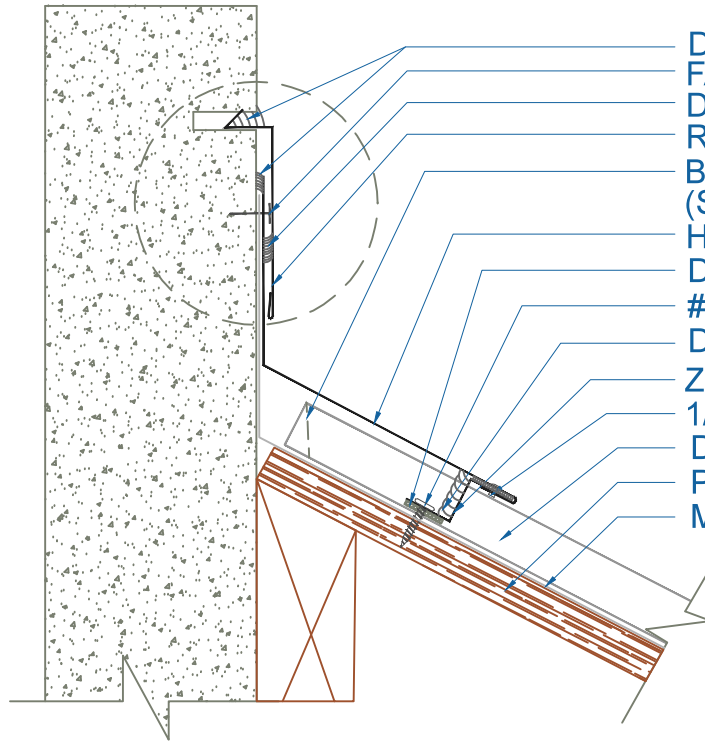
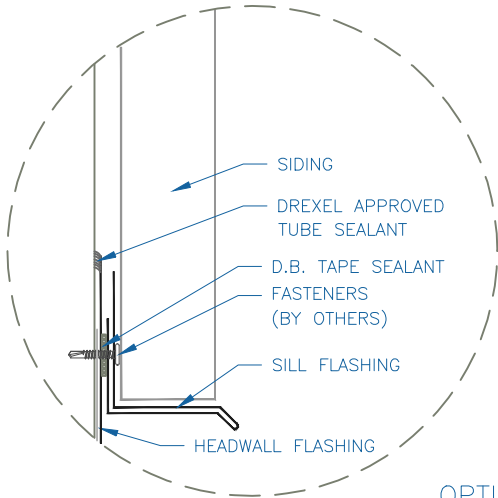


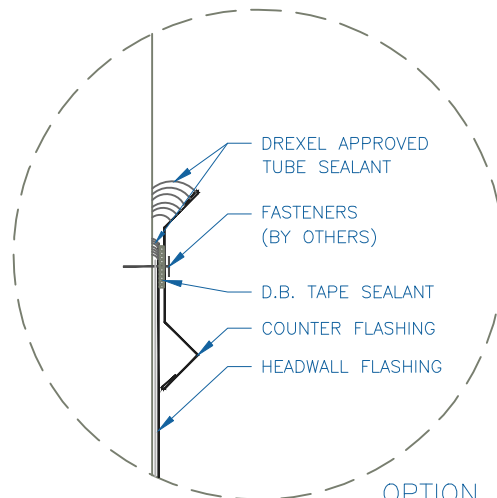
# DMC 100NS - PLYWOOD



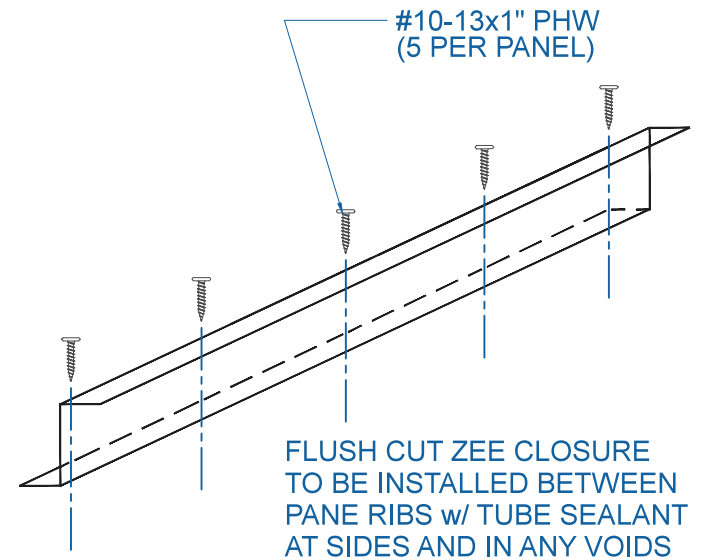
- DREXEL APPROVED TUBE SEALANT
- FASTENERS (BY OTHERS)
- DREXEL APPROVED TUBE SEALANT
- REGLET FLASHING
- BOX END OF PANEL  
(SEE ZEE CLOSURE OPTIONS DETAIL)
- HEADWALL FLASHING
- D.B. TAPE SEALANT
- #10 - 13 x 1" PHW (5 PER PANEL)
- DREXEL APPROVED TUBE SEALANT
- Z-CLOSURE FLASHING
- 1/8" - #43 POP RIVET (18" o.c.)
- DMC 100NS PANEL
- PLYWOOD SUBSTRATE (1/2" MIN.)
- METSHIELD UNDERLAYMENT



OPTION 1



OPTION 2



FLUSH CUT ZEE CLOSURE  
TO BE INSTALLED BETWEEN  
PANE RIBS w/ TUBE SEALANT  
AT SIDES AND IN ANY VOIDS

EFFECTIVE DATE: 02-15-2013  
SUBJECT TO CHANGE WITHOUT NOTICE

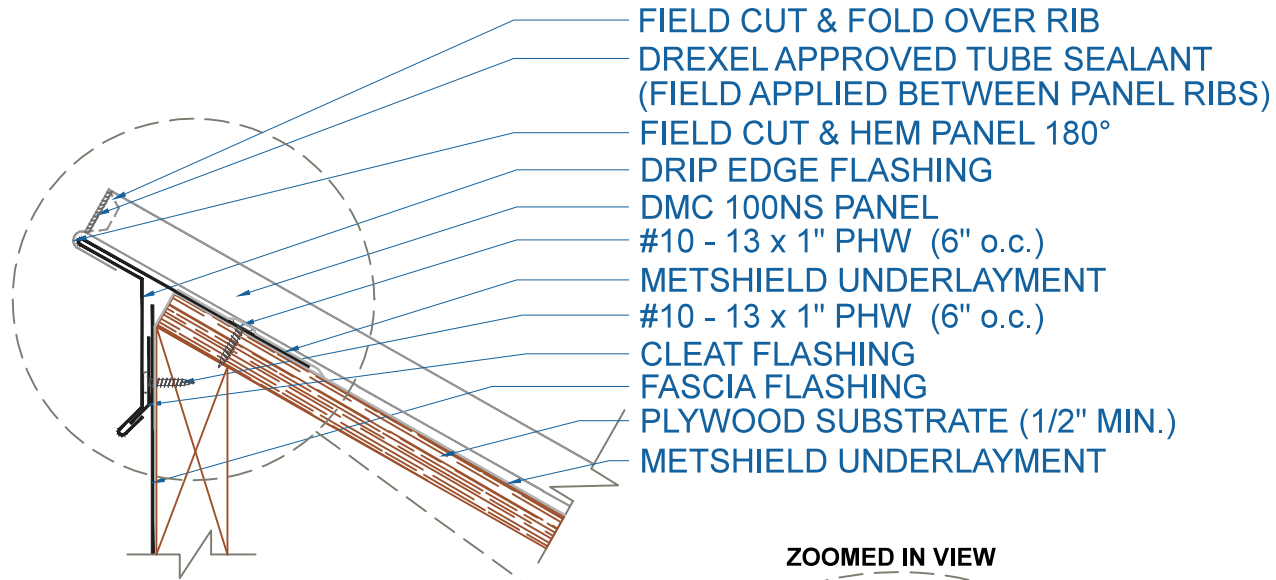
## HEADWALL

SCALE: 3" = 1'-0"

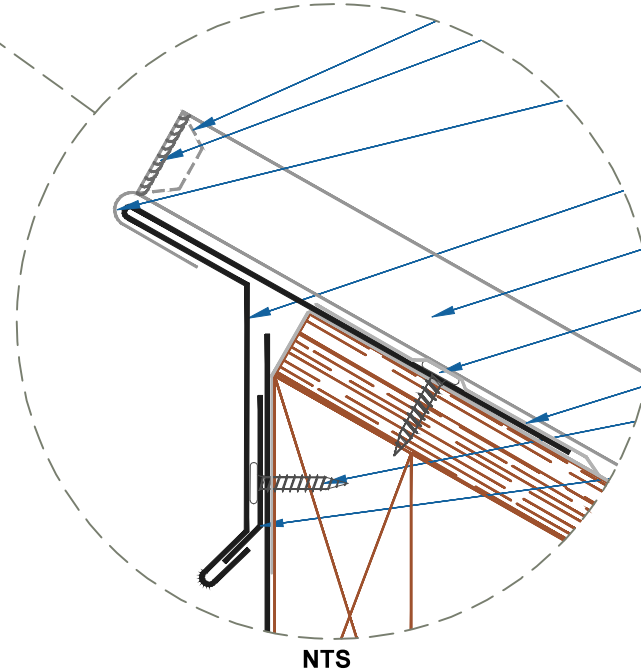
**DrexelMetals**  
Roofing Systems + Custom Fabrication



# DMC 100NS - PLYWOOD



ZOOMED IN VIEW



## DRIP EDGE PEAK

SCALE: 3" = 1'-0"

EFFECTIVE DATE: 02-15-2013  
SUBJECT TO CHANGE WITHOUT NOTICE

**DrexelMetals**  
Roofing Systems + Custom Fabrication

