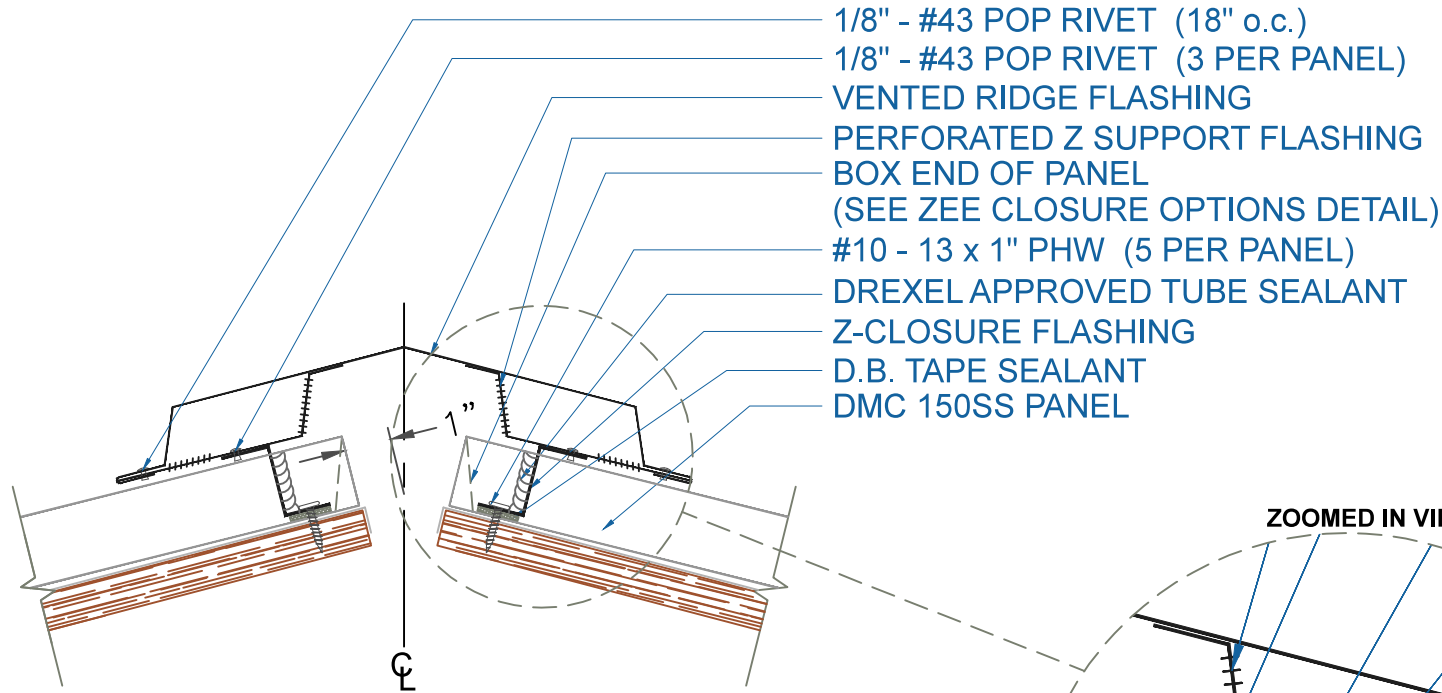
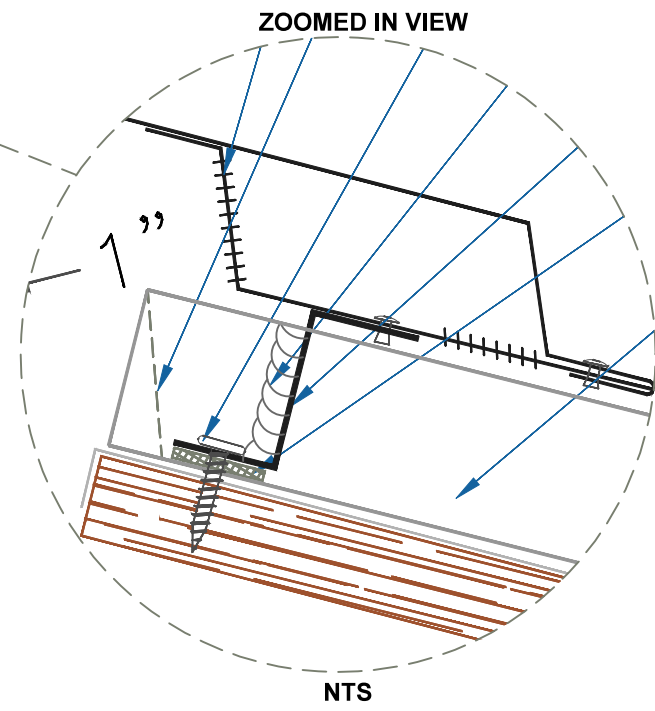
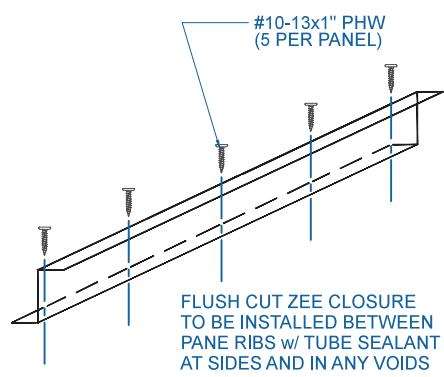


# DMC 150SS - PLYWOOD



- 1/8" - #43 POP RIVET (18" o.c.)
- 1/8" - #43 POP RIVET (3 PER PANEL)
- VENTED RIDGE FLASHING
- PERFORATED Z SUPPORT FLASHING
- BOX END OF PANEL  
(SEE ZEE CLOSURE OPTIONS DETAIL)
- #10 - 13 x 1" PHW (5 PER PANEL)
- DREXEL APPROVED TUBE SEALANT
- Z-CLOSURE FLASHING
- D.B. TAPE SEALANT
- DMC 150SS PANEL

NOTE:  
1.) NET FREE AREA = 6.16 SQ IN/FT



## VENTED RIDGE / HIP

SCALE: 3" = 1'-0"

EFFECTIVE DATE: 01-04-13  
SUBJECT TO CHANGE WITHOUT NOTICE