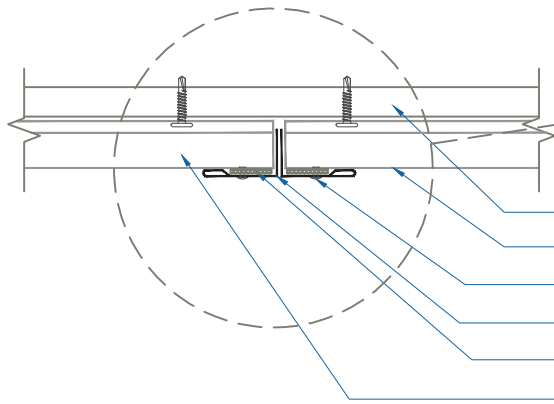
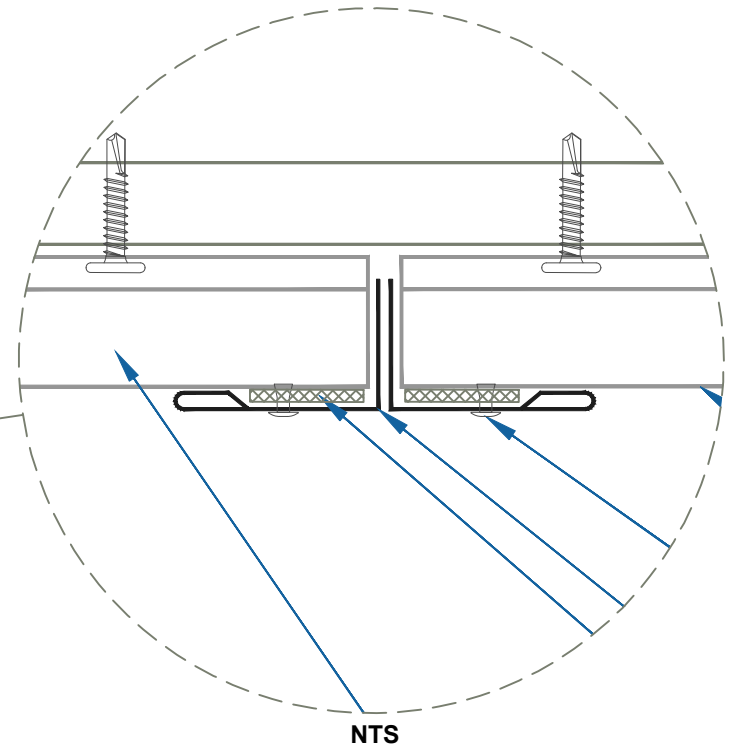


# DMC FWQ100 - OPEN FRAMING

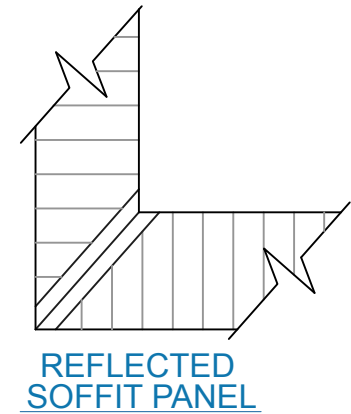
ZOOMED IN VIEW



- FRAMING MEMBER (BY OTHERS)
- DMC-FWQ100 PANEL
- 1/8" x 3/16" POP RIVET (12" o.c.)
- CORNER SPLICE TRIM
- S.B.TAPE SEALANT
- #10 - 16 x 1" DP3 PHD (12" o.c.)



NTS



EFFECTIVE DATE: 07-1-17  
SUBJECT TO CHANGE WITHOUT NOTICE

## CORNER SPLICE

SCALE: 3" = 1'-0"

