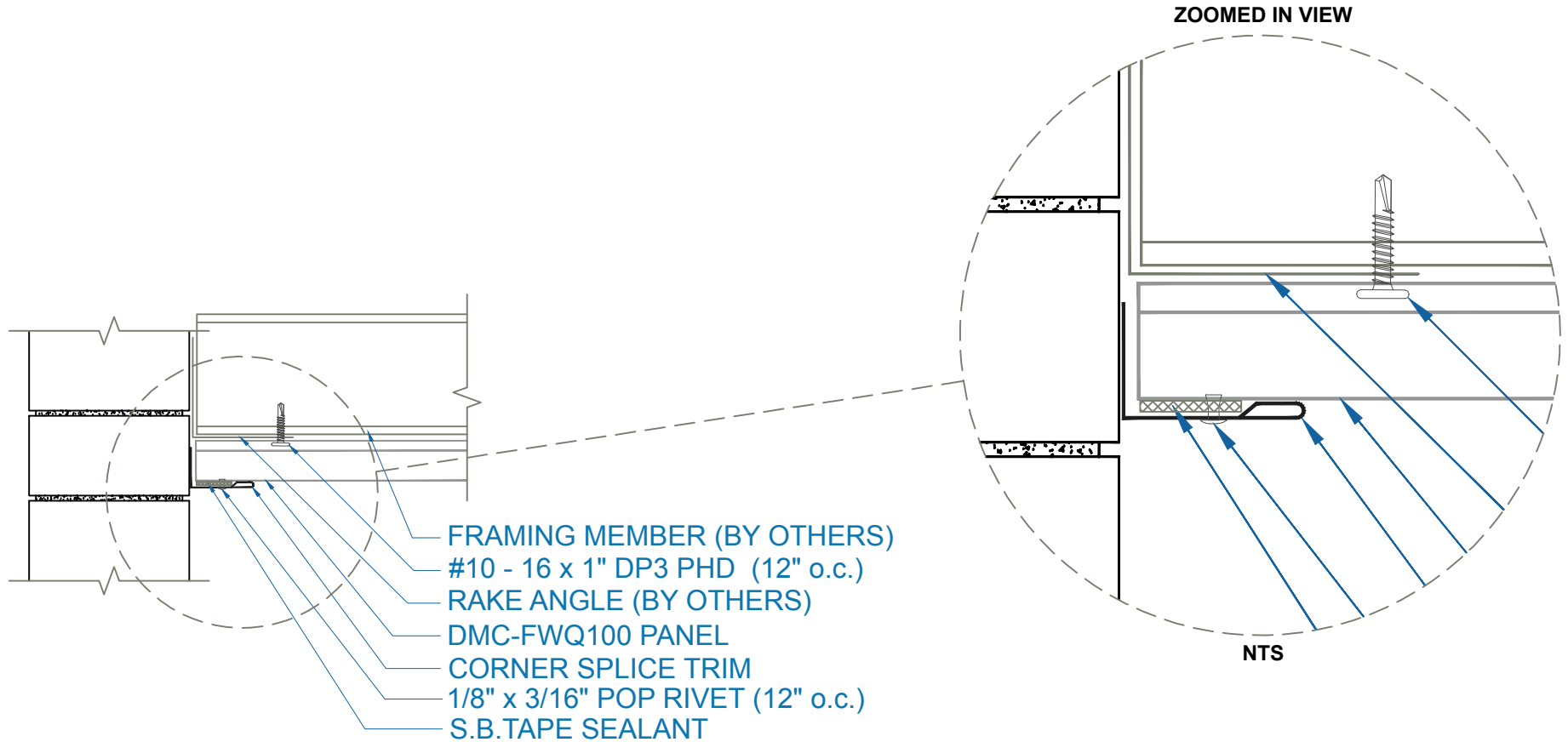


DMC FWQ100 - OPEN FRAMING



EFFECTIVE DATE: 07-1-17
SUBJECT TO CHANGE WITHOUT NOTICE

SOFFIT TO WALL

SCALE: 3" = 1'-0"

DrexelMetals
Roofing Systems + Custom Fabrication

