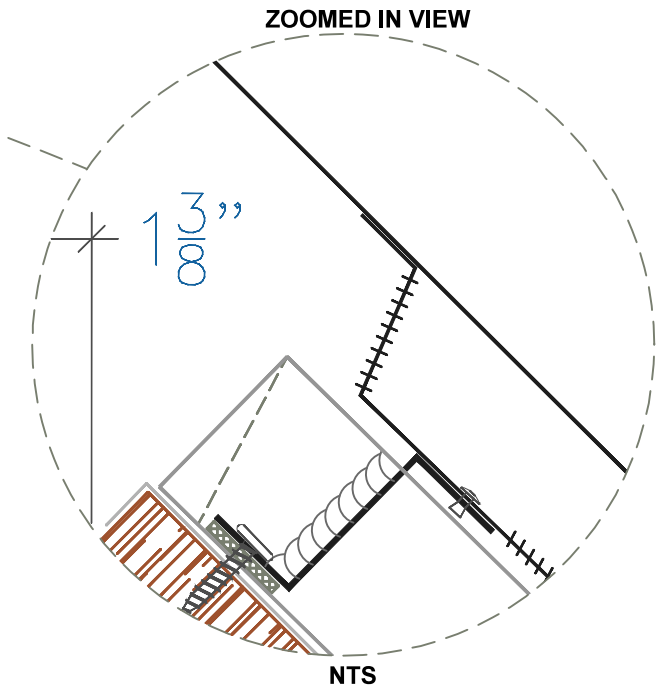
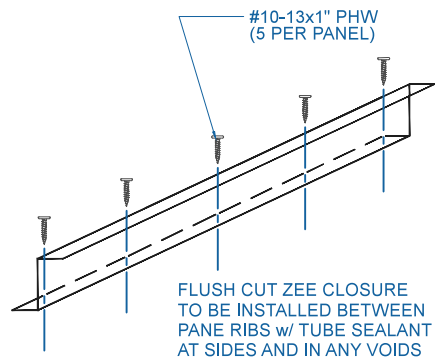
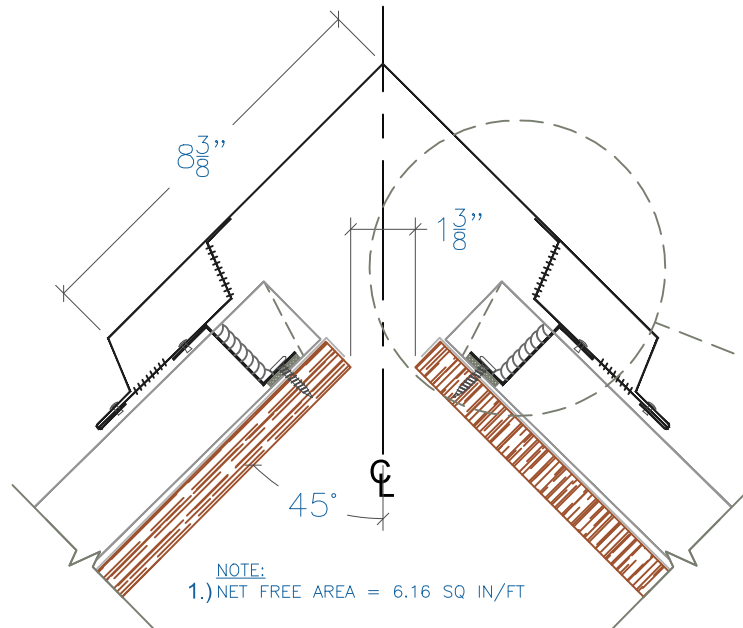


DMC 175S - PLYWOOD

SLOPE = 12:12



EFFECTIVE DATE: 11-10-15
SUBJECT TO CHANGE WITHOUT NOTICE

VENTED RIDGE / HIP

SCALE: 3" = 1'-0"

DrexelMetals
Roofing Systems + Custom Fabrication

