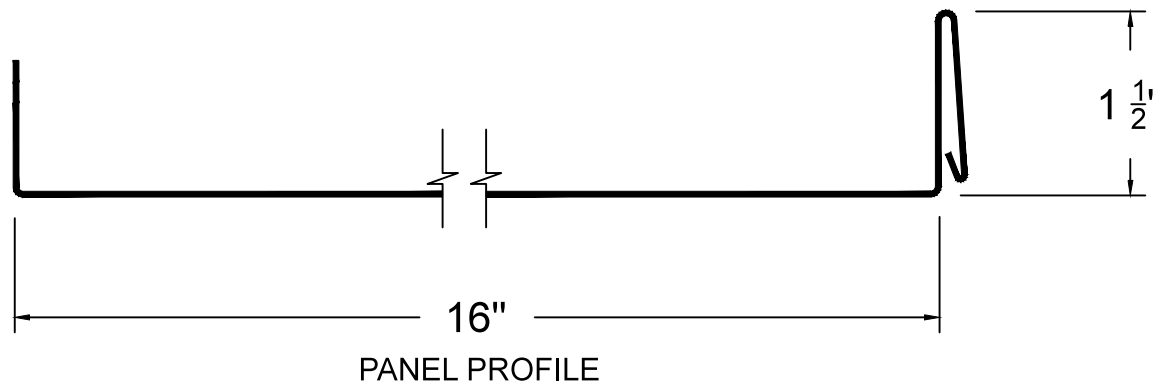
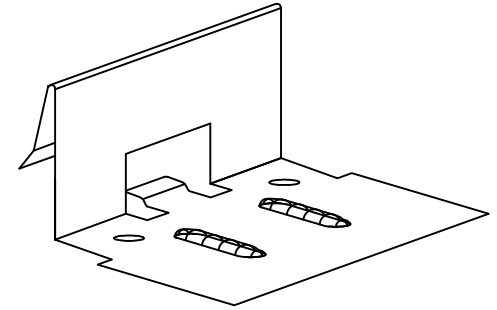
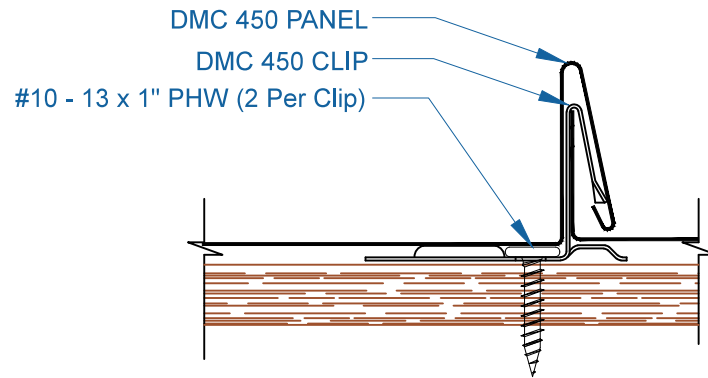
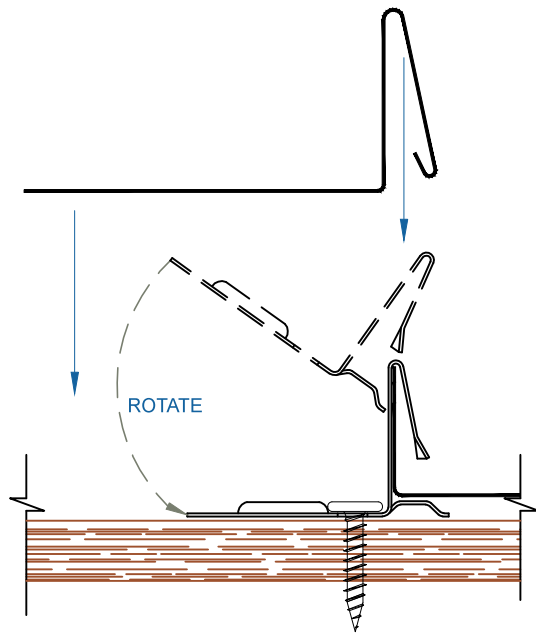


DMC 450 - SOLID SUBSTRATE



INSTALLATION

SCALE: NTS
EFFECTIVE DATE: 10-15-13