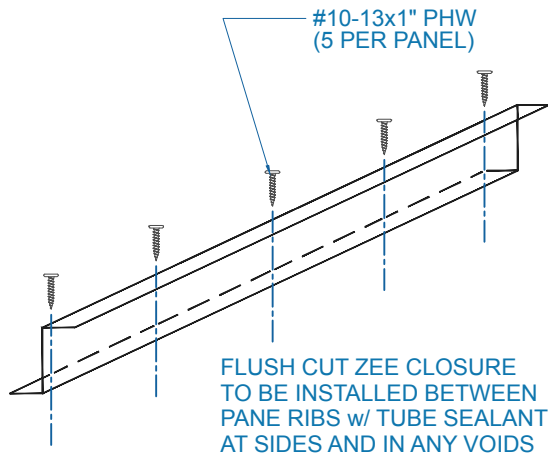
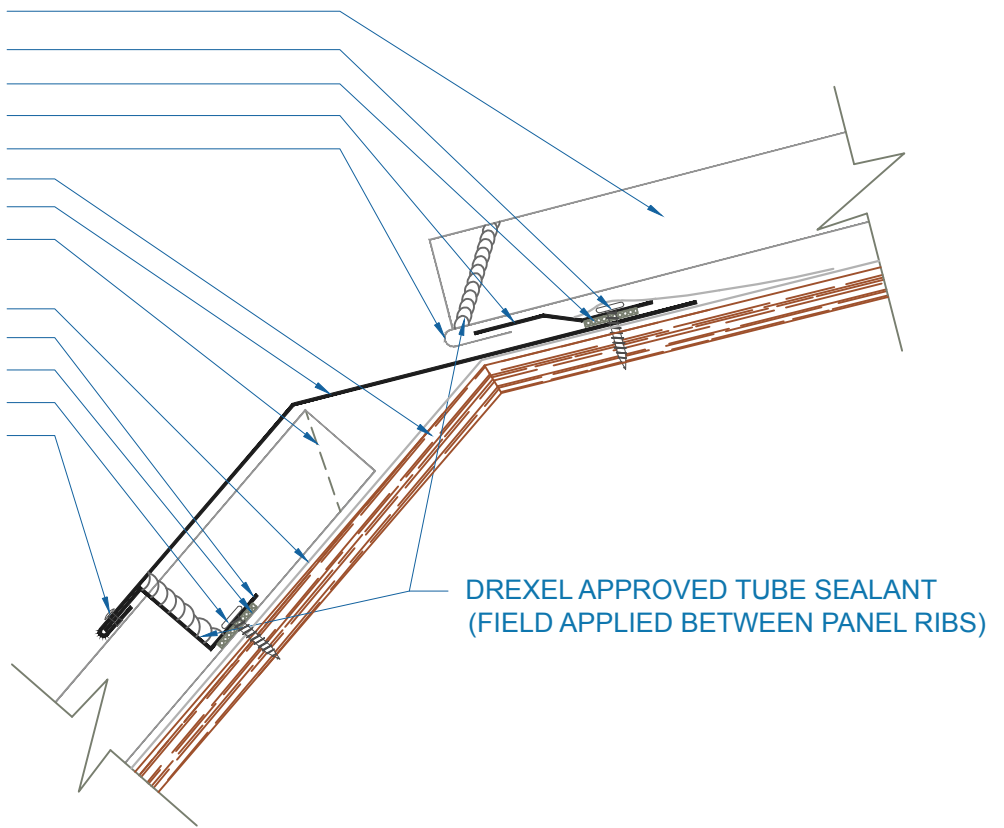


# DMC 450 - PLYWOOD

- DMC 450 PANEL
- #10 - 13 x 1" PHW (12" o.c.)
- D.B. TAPE SEALANT
- OFFSET CLEAT FLASHING
- FIELD CUT & HEM PANEL 180°
- PLYWOOD SUBSTRATE (1/2" MIN.)
- TRANSITION FLASHING
- BOX END OF PANEL  
(SEE ZEE CLOSURE OPTIONS DETAIL)
- METSHIELD UNDERLAYMENT
- Z-CLOSURE
- D.B. TAPE SEALANT
- #10 - 13 x 1" PHW (5 PER PANEL)
- 1/8" - #43 POP RIVET (18" o.c.)



## TRANSITION

SCALE: 4" = 1'-0"

EFFECTIVE DATE: 01-30-17  
 SUBJECT TO CHANGE WITHOUT NOTICE