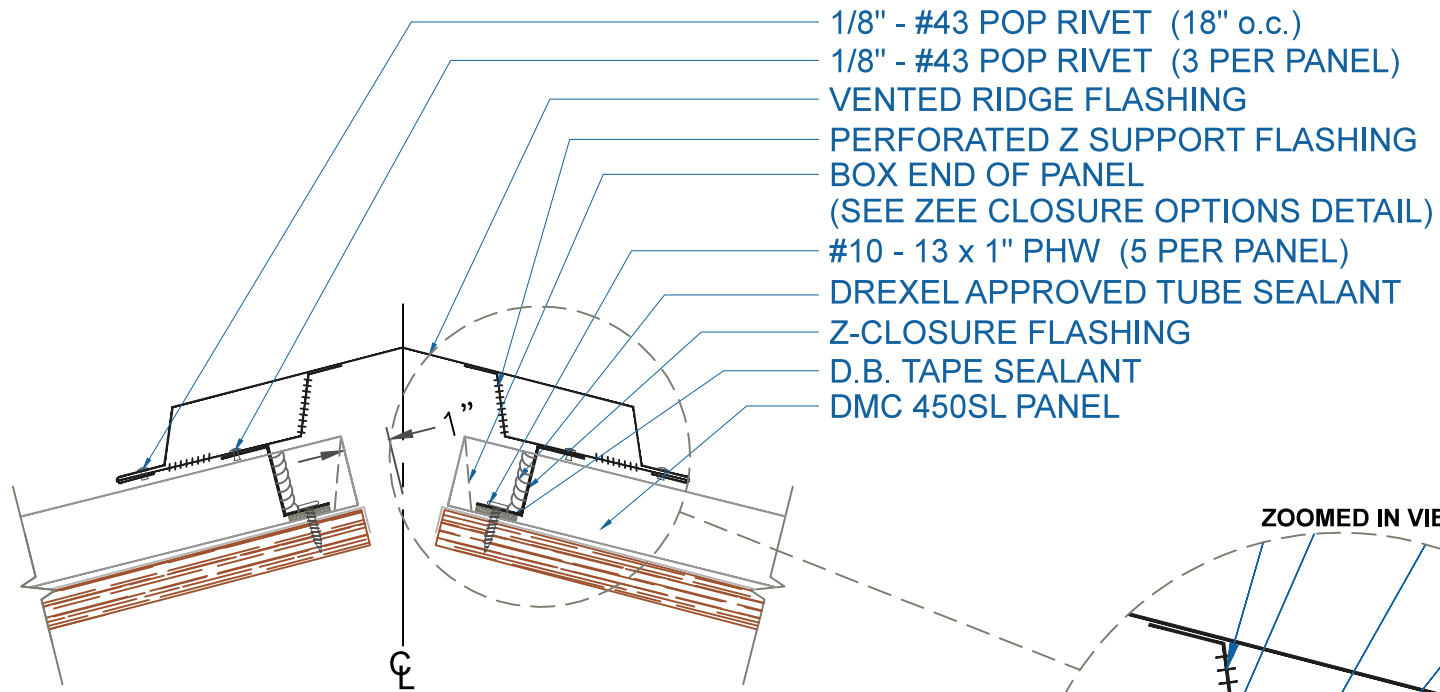
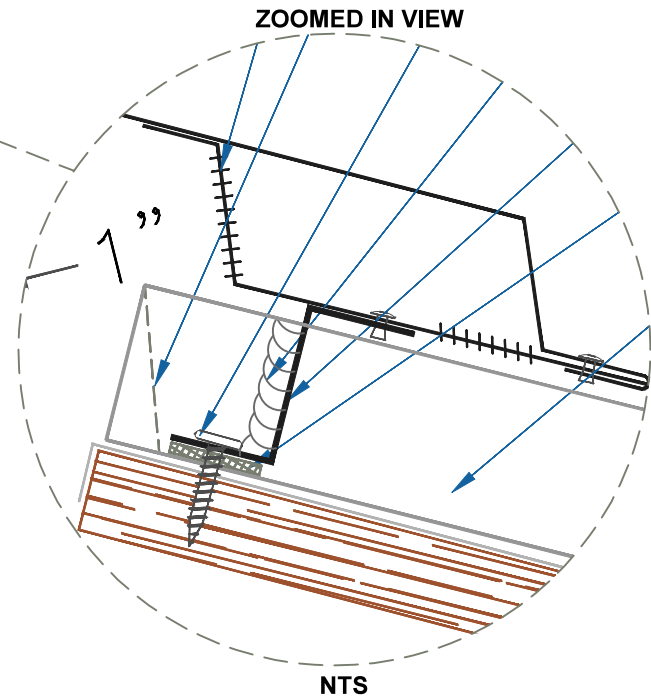
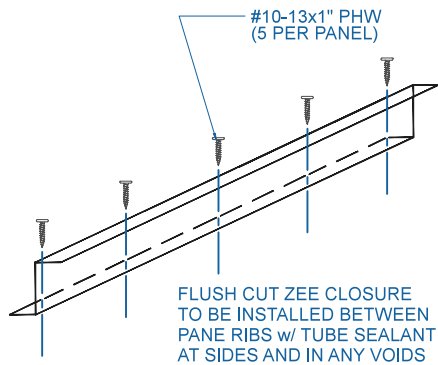


DMC 450SL - PLYWOOD



NOTE:
 1.) NET FREE AREA = 6.16 SQ IN/FT



EFFECTIVE DATE: 01-06-14
 SUBJECT TO CHANGE WITHOUT NOTICE

VENTED RIDGE / HIP

SCALE: 3" = 1'-0"