



1234 Gardiner Lane, Louisville, KY 40213
888-321-9630
www.Drexelmetals.com

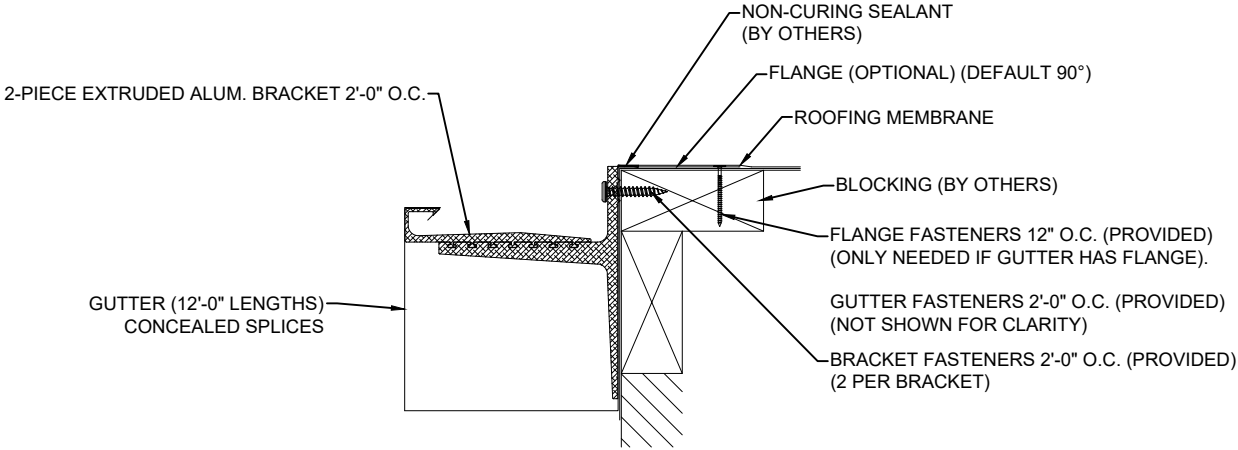
INSTALLATION GUIDE FOR
GUTTER
(BOX, OFFSET, AND CHAMFER)
APPROVALS*

ANSI/SPRI GT-1

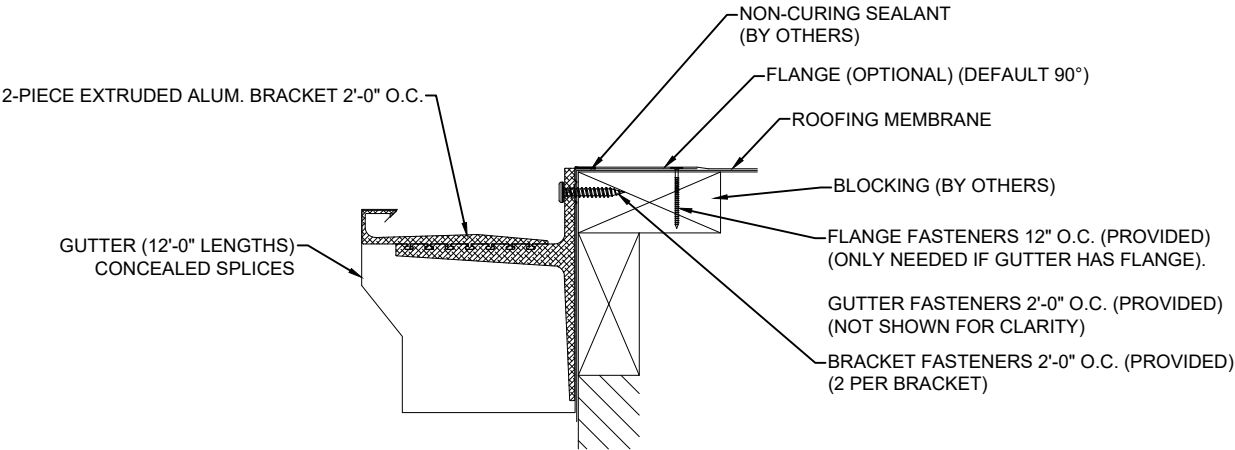
APPROVALS: Contact manufacturer for verification of test report data on your project

Gutter Versions

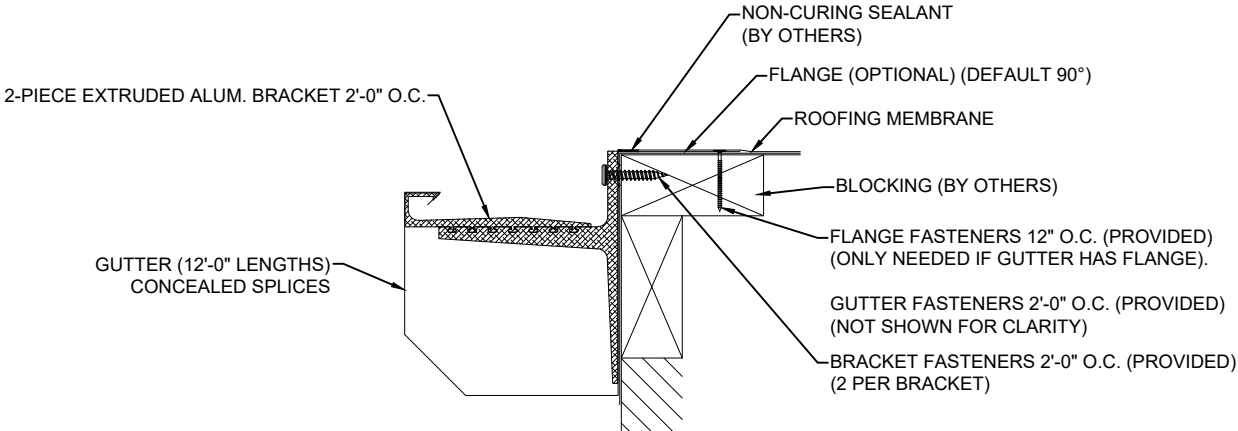
Box Version (SHOWN THROUGHOUT INSTALL GUIDE)



Offset Version



Chamfer Version

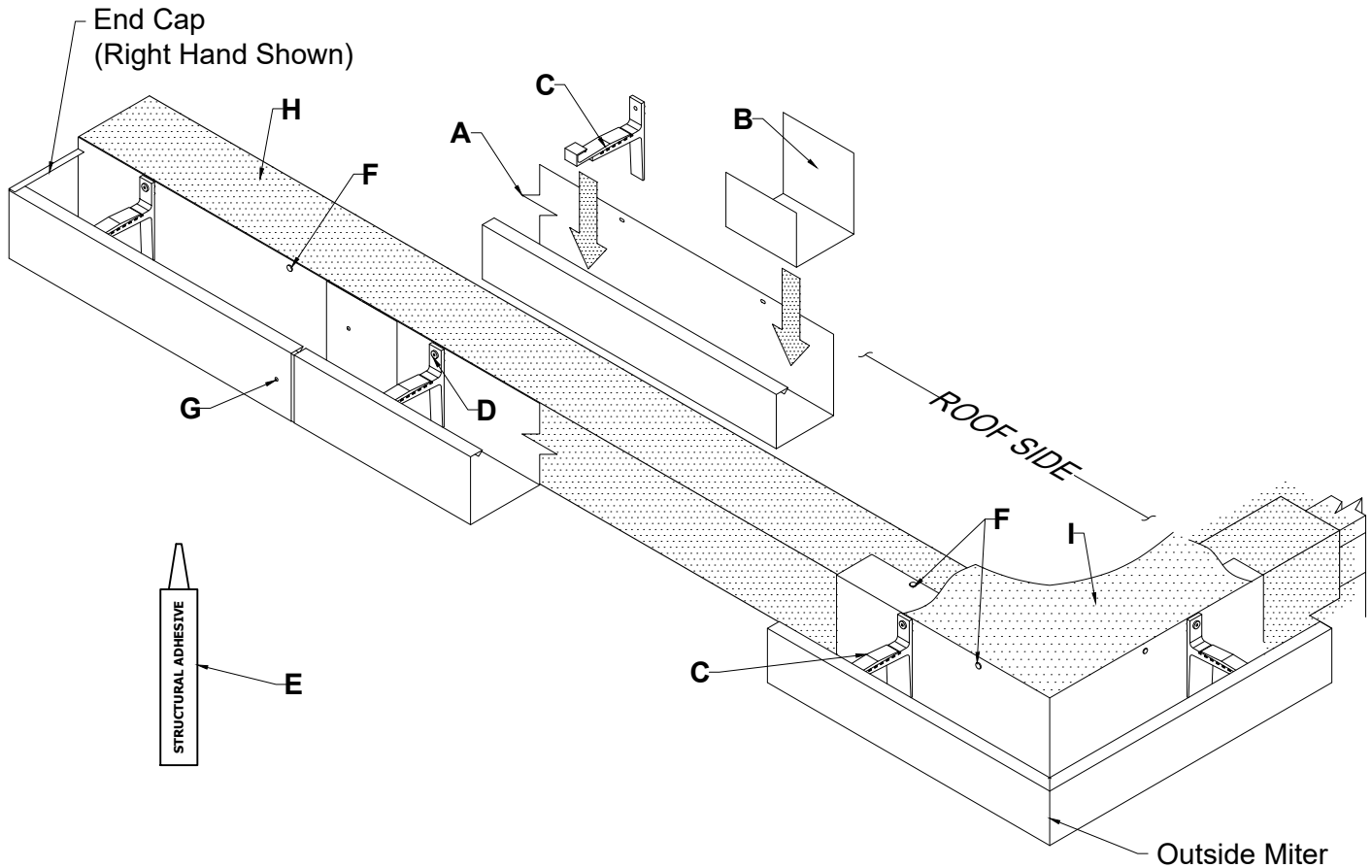


Installation Guide for Gutter

NOTES:

#1 - Isolate all metal parts from ACQ treated wood or other galvanically incompatible material with appropriate membrane material.

#2 - Appliance attachments, such as lightning rods, signs, or antennae that penetrate the edge system, induce a galvanic reaction, or otherwise compromise the effectiveness of the roof edge system, shall be eliminated or isolated to prevent problems per ANSI/SPRI/ED-1. Lightning protection systems for example must not be directly affixed to the product provided by the manufacturer. Consult the manufacturer for alternative attachment suggestions.



A. Formed Gutter
12-ft. Lengths

B. Concealed Joint Splice
6-in. Lengths

C. Extruded Alum. Bracket
1-in. Length @ 2'-0" O.C.

D. Bracket Fasteners
at All Bracket Locations
(Included & Required)

E. Structural Adhesive
at All Brackets
(Included & Required)

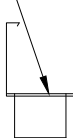
F. Gutter Fasteners
(Included & Required)

G. Aluminum Pop-Rivet
(Included & Required)

H. Base Ply Membrane
(By Others)

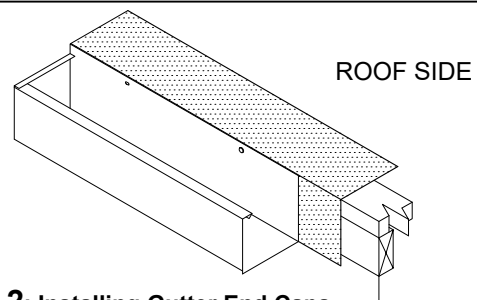
I. Strip-In Ply
(By Installer)

DOWNSPOUT OUTLET



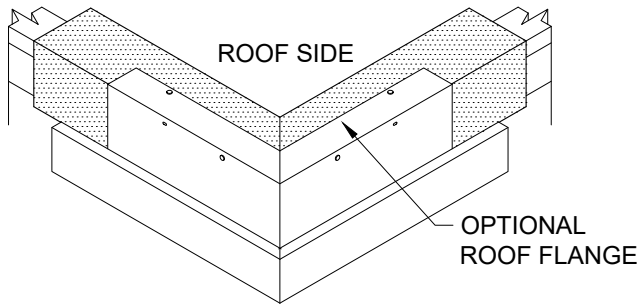
STEP 1: Installing Downspout Outlets

Determine outlet locations and field cut hole in the gutter bottom. Insert outlet into hole, apply a continuous bead of non-curing sealant to flange and fasten with pop rivets in each flange 2" O.C. from outside.



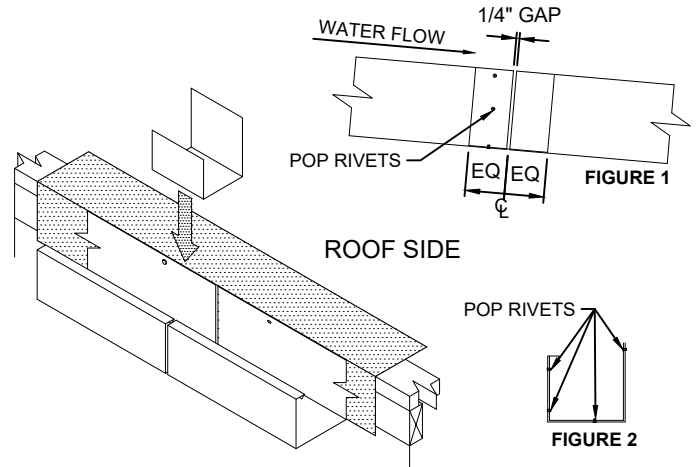
STEP 2: Installing Gutter End Caps

Locate the endcaps for the appropriate locations. Secure to the roof edge using the fasteners (provided) in every other pre-punched hole (2'-0" O.C.). If optional roof flange is included, install with fasteners (provided) in all holes on roof flange (12" O.C.).



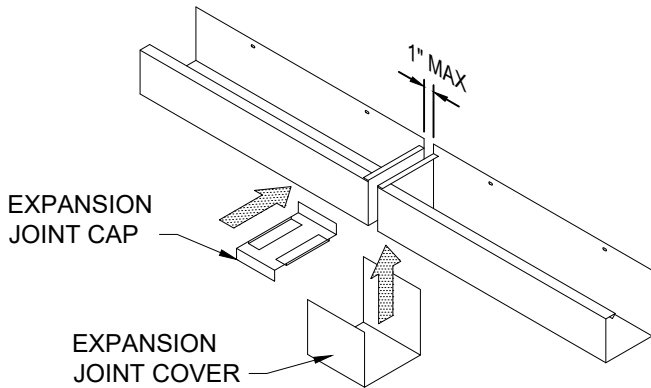
STEP 3: Installing Gutter Mitters

Locate the mitters for the appropriate locations. Secure to the roof edge using the fasteners (provided) in every other pre-punched hole (2'-0" O.C.). If optional roof flange is included, install with fasteners (provided) in all holes on roof flange (12" O.C.).



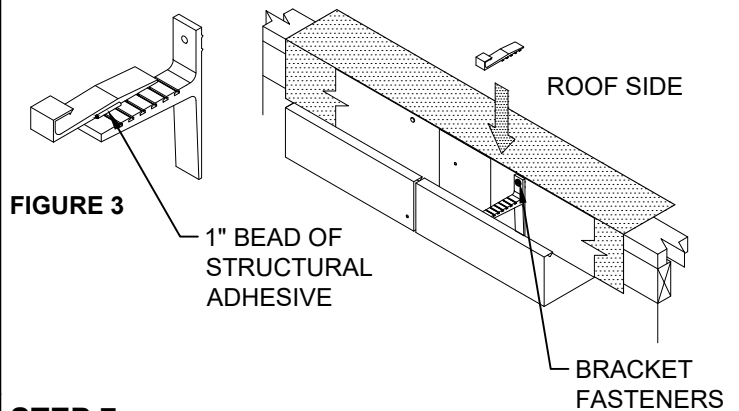
STEP 6: Installing Gutter Joint Splices

Locate the joint splice for the appropriate gutter. Apply a continuous bead of non-curing sealant to both sides of the joint. Slide the joint splice down into the gutter. Secure the joint splice in place by pop riveting it on the high side of the joint (FIGURE 1) on the 3 surfaces as shown in FIGURE 2. There must be a joint splice at every joint.



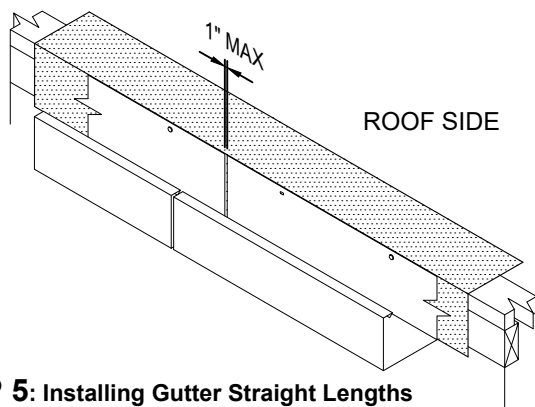
STEP 4: Installing Expansion Joints (If Required)

Install expansion joint in location as specified on roof plan(s). An expansion joint will consist of (2) pre-fabricated end caps, (1) expansion joint cap and (1) expansion joint cover. Gap the endcaps at 1" max. Slide the joint cover onto the gutter, then pop rivet the joint cover in the same locations as shown in FIGURE 2. Place the joint cap over the endcap lip and center the joint cap over the gap, secure in place using the fasteners (provided).



STEP 7: Installing Gutter Brackets

Install the bracket base first, secure it in place using the fasteners (provided). Then hook the top part of the bracket on the face lip of the gutter. Slide the top onto the base by 1/4" (MAX), then apply a 1" (MIN) continuous bead of structural adhesive (provided) as shown in FIGURE 3. Then continue sliding the top onto the base, until they are aligned.



STEP 5: Installing Gutter Straight Lengths

Begin from the end caps/miters working inward to the center. Secure to the roof edge using the fasteners (provided) in every other pre-punched hole (2'-0" O.C.). **Allow 1/4" gap between gutter sections for thermal expansion.** Review lengths of all straight pieces prior to cutting to avoid creating relatively short sections of cap adjacent to full length section.