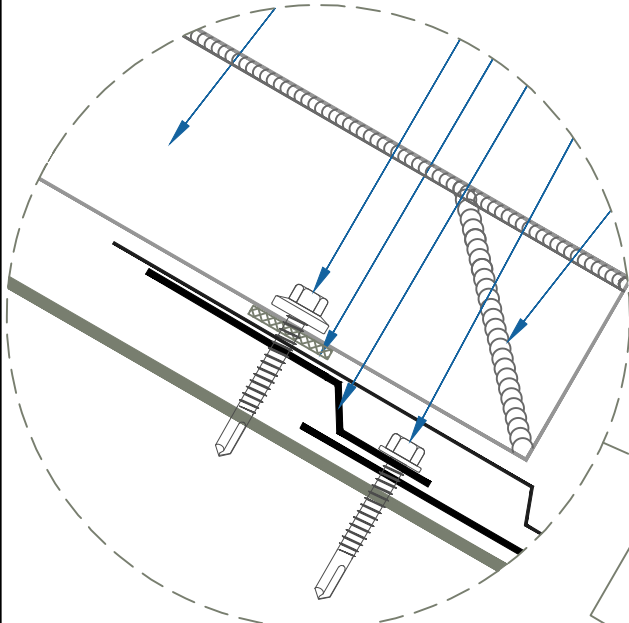
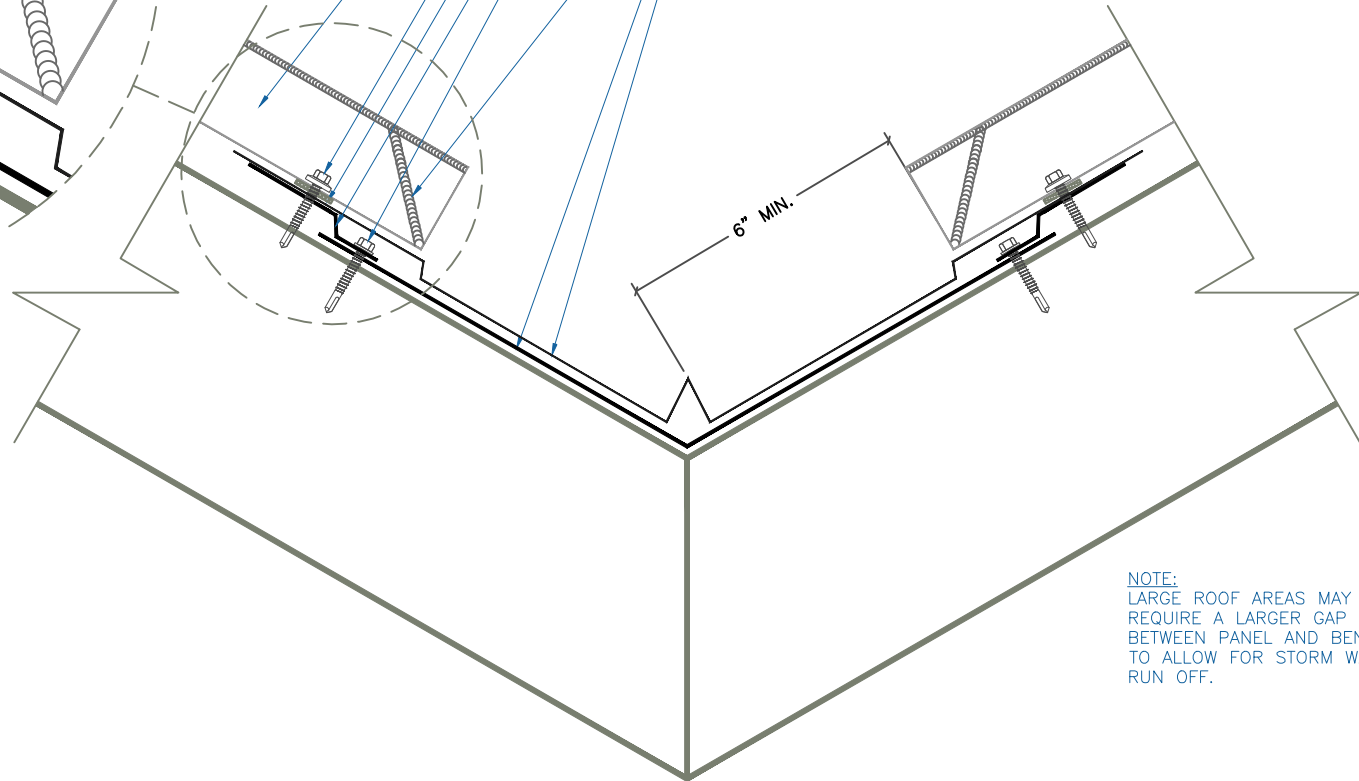


DMC 200S - OPEN FRAMING

ZOOMED IN VIEW



- DMC 200S PANEL
- #12 - 14 x 1 1/2" DP3 SD DREXMET HEAD (5 PER PAN)
- D.B. TAPE SEALANT
- EAVE PLATE 16GA
- 1/4 - 14 x 1 1/2" DP3 SD/NW (12" o.c.)
- DREXEL APPROVED TUBE SEALANT (FIELD APPLIED)
- VALLEY PLATE 16GA
- STEP VALLEY FLASHING (DIVERTER OPTIONAL)



NOTE:
LARGE ROOF AREAS MAY
REQUIRE A LARGER GAP
BETWEEN PANEL AND BEND
TO ALLOW FOR STORM WATER
RUN OFF.

STEP VALLEY

EFFECTIVE DATE: 01-18-13
SUBJECT TO CHANGE WITHOUT NOTICE

SCALE: 3" = 1'-0"