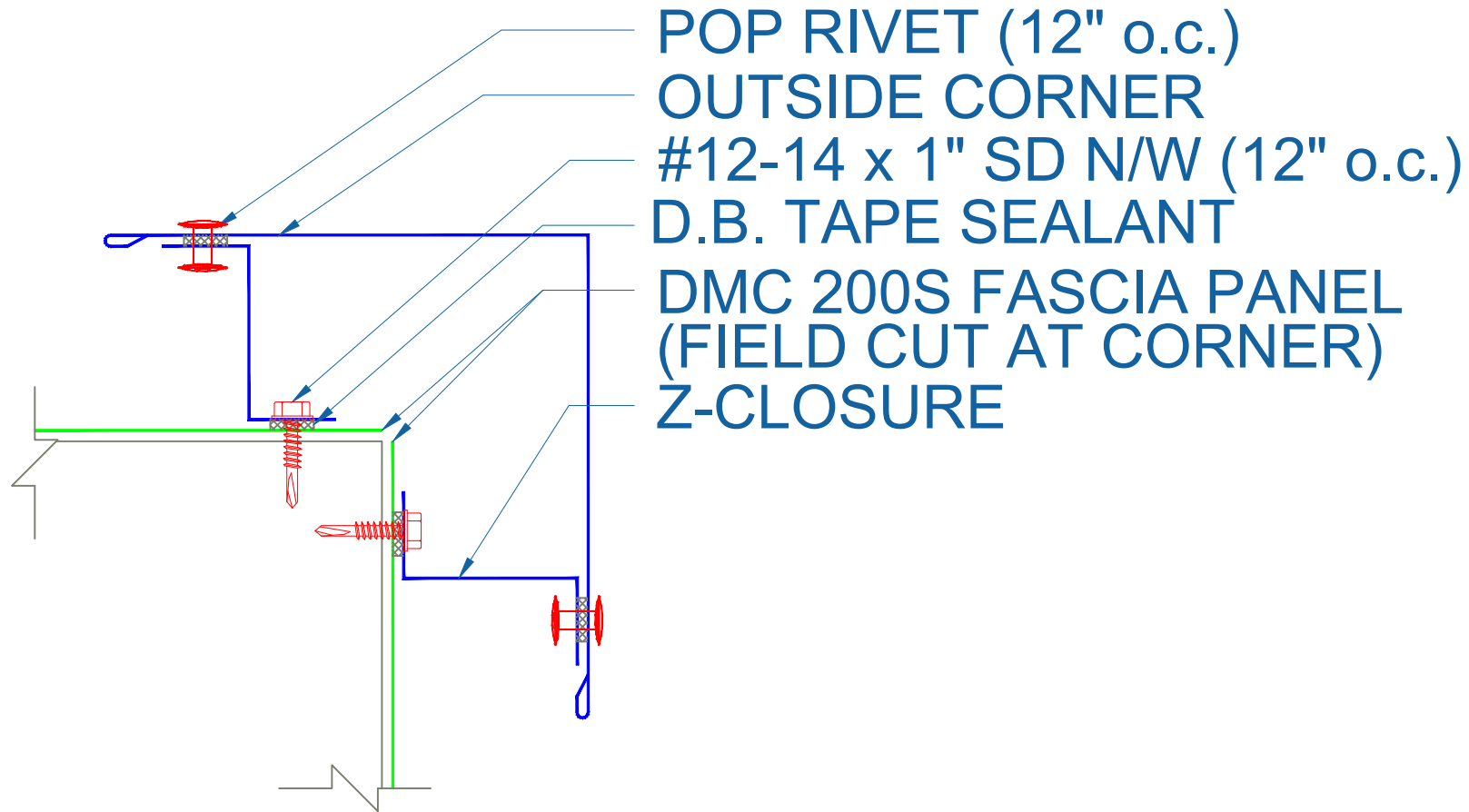


DMC 200S - OPEN FRAMING



EFFECTIVE DATE: 07-11-12
SUBJECT TO CHANGE WITHOUT NOTICE

OUTSIDE CORNER

SCALE: 3" = 1'-0"

DrexelMetals
Roofing Systems + Custom Fabrication

