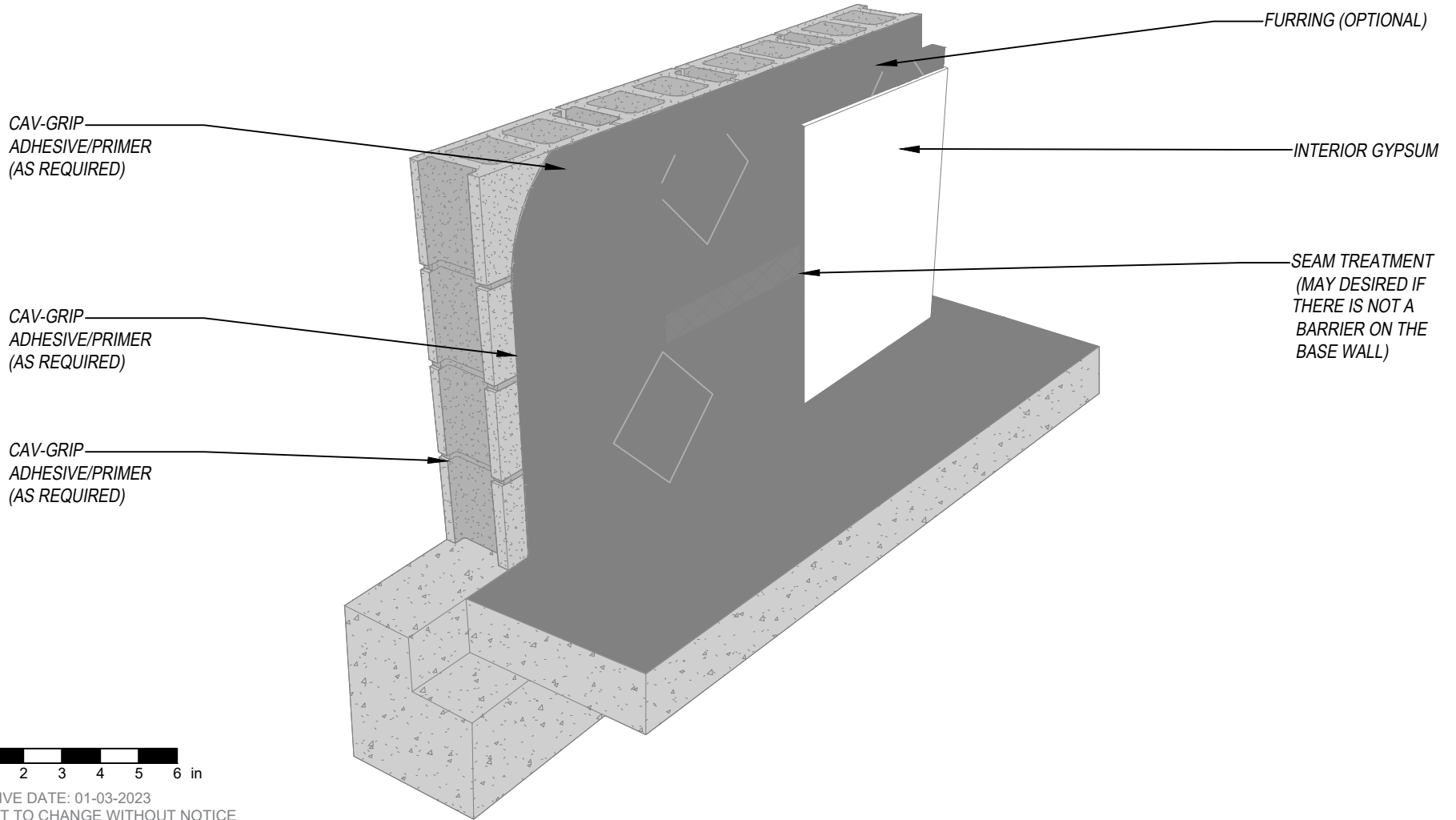


# NON-EXPOSED INTERIOR APPLICATIONS OF DEFEND-R CI POLYISO

DEFEND-R CI PRODUCTS: DEFEND-R CI FOIL, DEFEND-R CI CG, DEFEND-R CI CG CLASS A



N.T.S.  
 0 1 2 3 4 5 6 in  
 EFFECTIVE DATE: 01-03-2023  
 SUBJECT TO CHANGE WITHOUT NOTICE

DISCLAIMER: DETAIL SHOWN FOR ILLUSTRATION PURPOSES ONLY. ACTUAL PROJECT DETAIL MAY VARY