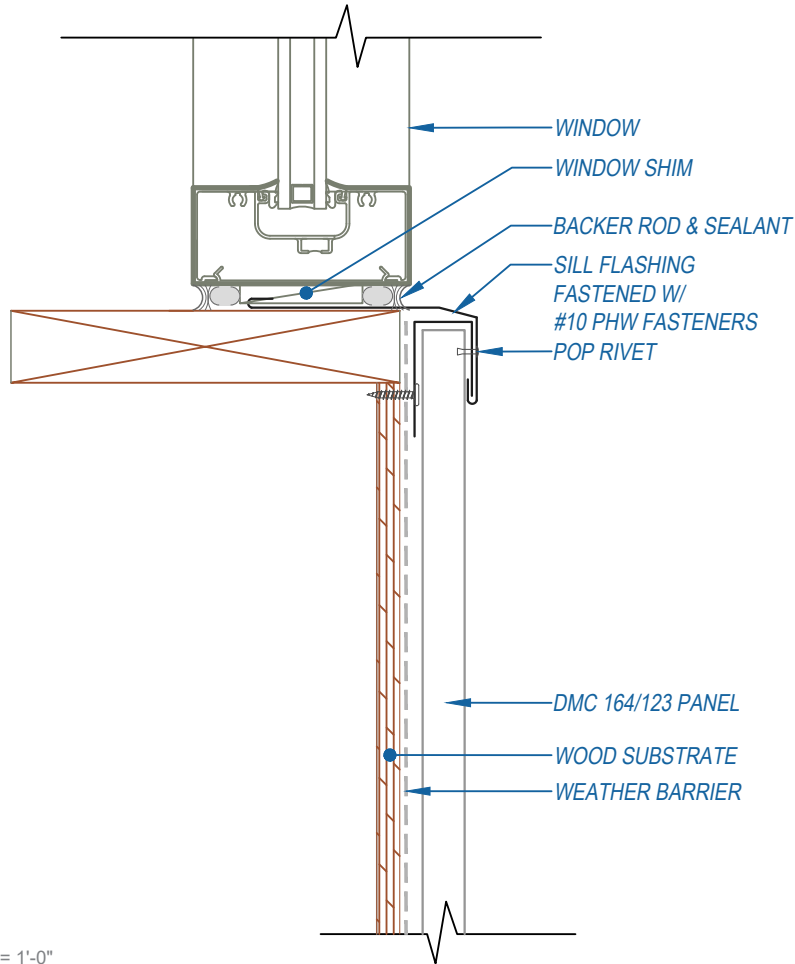
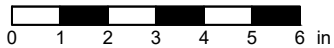




DMC 164 PANEL



SCALE: 3" = 1'-0"



EFFECTIVE DATE: 03-27-2025
SUBJECT TO CHANGE WITHOUT NOTICE

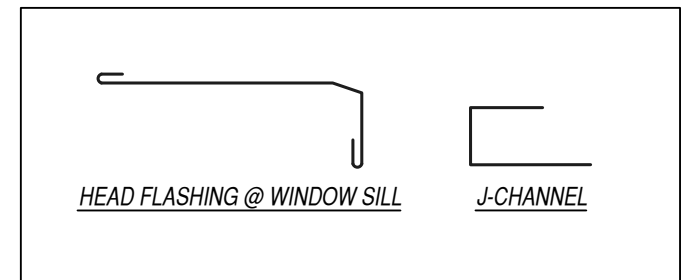
THIS DETAIL DRAWING IS APPLICABLE TO ALL DMC 164 & DMC 123 WALL PANEL PROFILES



CONCEALED CLIP END

KEYNOTES:

- TRIM FASTENERS ARE SELF-DRILL PANCAKE HEAD AND MUST BE INSTALLED IN A STAGGERED PATTERN
- FASTENERS MUST PENETRATE WOOD SUBSTRATE BY 5/8" MINIMUM THREAD LENGTH
- FASTENER SPACING VARIES BASED ON PROJECT SPECIFIC LOADS AND/OR LOCAL BUILDING CODES



FLASHINGS

DISCLAIMER: DETAIL SHOWN FOR ILLUSTRATION PURPOSES ONLY. ACTUAL PROJECT DETAIL MAY VARY