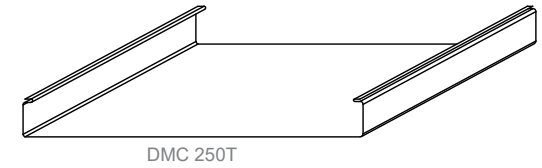
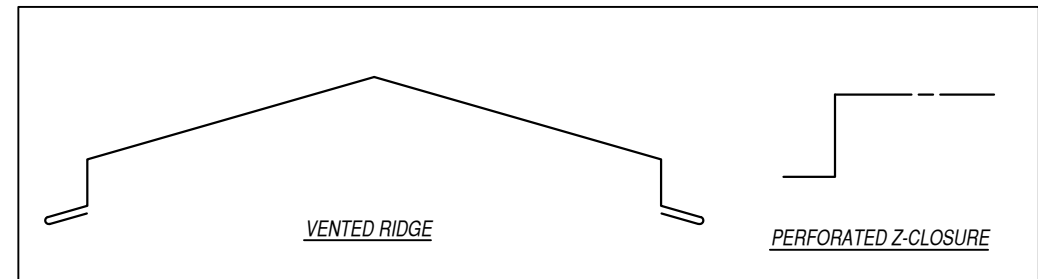
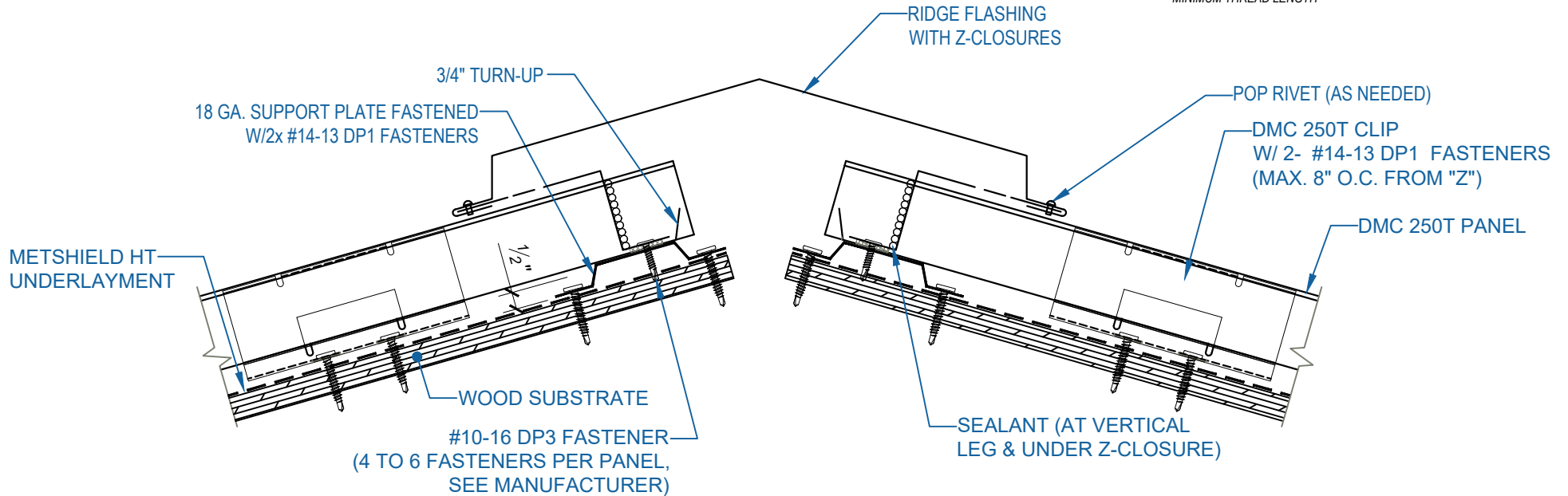


DMC 250T - WOOD SUBSTRATE DETAILS  
VENTED RIDGE - OPTION 2  
(NO SUPPORT Z)



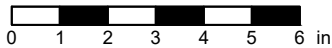
**KEYNOTES:**

- TRIM FASTENERS ARE SELF-DRILL PANCAKE HEAD AND MUST BE BE INSTALLED IN A STAGGERED PATTERN SPACED @ 12" O.C.
- CLIP FASTENERS MUST PENETRATE WOOD SUBSTRATE BY 5/8" MINIMUM THREAD LENGTH



FLASHINGS  
DISCLAIMER: DETAIL SHOWN FOR ILLUSTRATION PURPOSES ONLY. ACTUAL PROJECT DETAIL MAY VARY

SCALE: 3" = 1'-0"



EFFECTIVE DATE: 11-01-2025  
SUBJECT TO CHANGE WITHOUT NOTICE

**DREXEL METALS - DREXMET.COM**

399 East Industrial Park Drive  
Manchester, NH 03109  
P: 888-321-9630

1550 East 73rd Ave  
Denver, CO 80229  
P: 888-321-9630  
F: 303-420-8356

8641 Elm Fair BLVD  
Tampa, FL 33610  
P: 888-321-9630  
F: 727-572-7910

675 NW Enterprise Drive  
Port St Lucie, FL 34986  
P: 888-321-9630

1255 S Caton Avenue, Suite B  
Baltimore, MD 21227  
P: 888-321-9630  
F: 410-799-9913

9817 233rd Avenue Suite A  
Bonney Lake, WA 98391  
P: 888-321-9630

2101 Green Lane, Suite C  
Levittown, PA 19057  
P: 888-321-9630